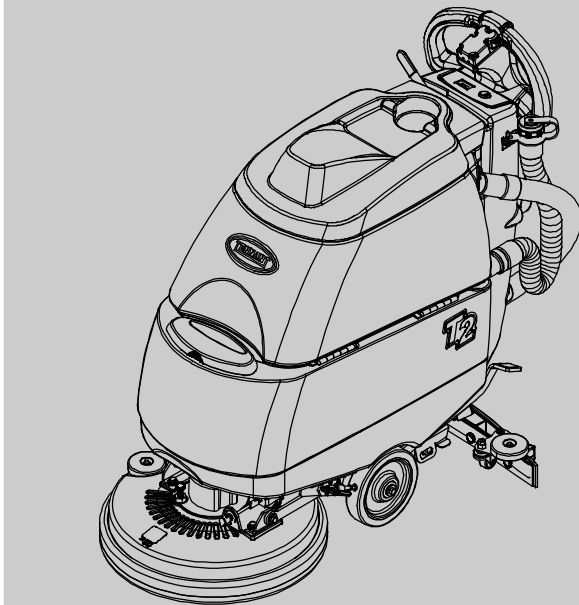
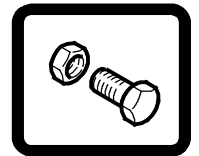




# T2

Automatic Scrubber

## Parts Manual



Models:  
9008728 - T2  
9008842 - T2 w/ Battery

**TennantTrue® Parts**



For the latest Parts manuals and other language Operator manuals, visit:

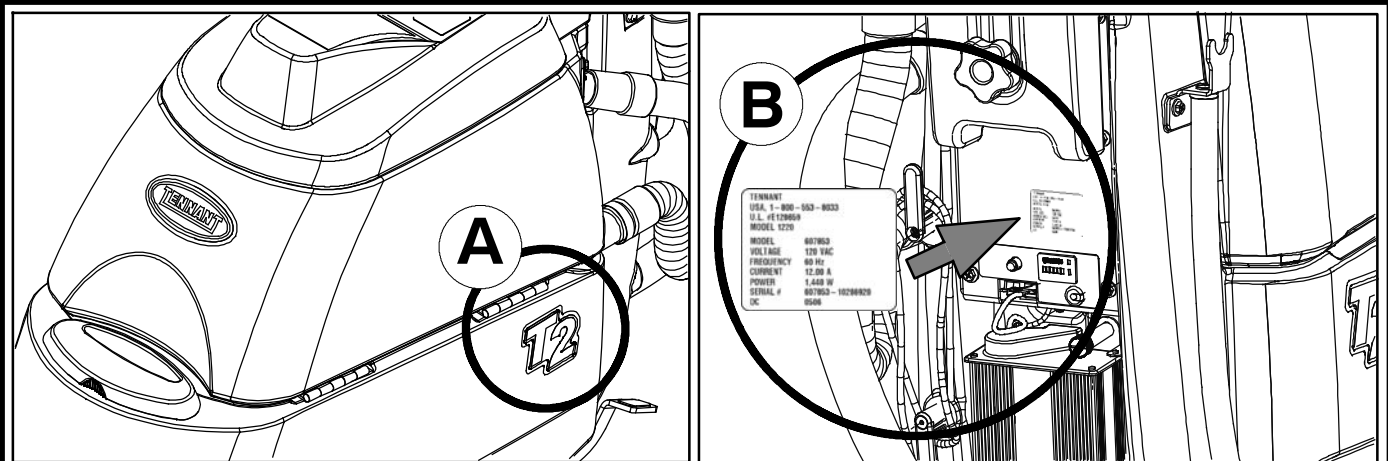
[www.tennantco.com/manuals](http://www.tennantco.com/manuals)

**North America**

[www.tennantco.com](http://www.tennantco.com)

9008845  
Rev. 03 (02-2017)





Ref	Part No.	Serial Number	Description	Qty.
1	82681	(000000- )	Bracket Wldt, Lpg Mount	1
▽ 2	63810	(000000- )	Latch Assy, Lpg Tank Mtg, W/Nut	4
▲ 3	51839	(000000- )	Nut Adjustable, Lpg Tank Mtg	2
4	49263	(000000- )	Tie, Cable	3
(D) 5	82556	(000000- 001039)	Bracket, Vaporizer	1
6	54930	(000000- )	Vaporizer, LPG	1

**HOW TO ORDER PARTS - See diagram above**

Only use TENNANT Company supplied or equivalent parts. Parts and supplies may be ordered online, by phone, by fax or by mail.

Follow the steps below to ensure prompt delivery.

1. (A) Identify the machine model.
2. (B) Identify the machine serial number from the data label.
3. (C) Ensure the proper serial number is used from the parts list.
4. Identify the part number and quantity. Do not order by page or reference numbers.
5. Provide your name, company name, customer ID number, billing and shipping address, phone number and purchase order number.
6. Provide detail shipping instructions.

- (D) ▽ - identifies an assembly  
 ▲ - identifies parts included in assembly

**Please fill out at time of installation for future reference.**

Model No. - \_\_\_\_\_

Serial No. - \_\_\_\_\_

Machine Options - \_\_\_\_\_

Sales Rep. - \_\_\_\_\_

Sales Rep. phone no. - \_\_\_\_\_

Customer ID Number - \_\_\_\_\_

Installation Date - \_\_\_\_\_

**Tennant Company**

PO Box 1452  
 Minneapolis, MN 55440  
 Phone: (800) 553- 8033 or (763) 513- 2850  
 www.tennantco.com

Specifications and parts are subject to change without notice.

Copyright © 2011 - 2017 TENNANT Company, Printed in U.S.A.

**STANDARD PARTS**

---

GENERAL RECOMMENDED MAINTENANCE ITEMS .....	5
REPLACEMENT BRUSHES AND PAD DRIVER GROUP .....	6
RECOVERY TANK GROUP .....	8
SOLUTION TANK GROUP .....	10
VACUUM FAN GROUP .....	12
HANDLE GROUP .....	14
CONTROL PANEL GROUP (S/N 10675132- ) .....	16
CONTROL PANEL GROUP (S/N 00000000- 10675131) .....	18
WHEEL GROUP (S/N 10728234- ) .....	20
WHEEL GROUP (S/N 00000000- 10728233) ....	22
SCRUB HEAD GROUP, 43 CM (S/N 10572326- ) .....	24
SCRUB HEAD GROUP, 43 CM (S/N 00000000- 10572325) .....	26
SCRUB HEAD LIFT GROUP .....	28
SQUEEGEE GROUP .....	30
SQUEEGEE LIFT GROUP .....	32
SOLUTION GROUP .....	34
ON- BOARD BATTERY CHARGER GROUP ....	36
BATTERY GROUP, WET 12V/105Ah .....	38
BATTERY GROUP, GEL 12V/102Ah .....	39
ELECTRICAL DIAGRAM .....	40
WIRING HARNESS .....	41

**OPTIONS**

---

PARKING BRAKE GROUP .....	44
---------------------------	----

## RECOMMENDED MAINTENANCE ITEMS

---

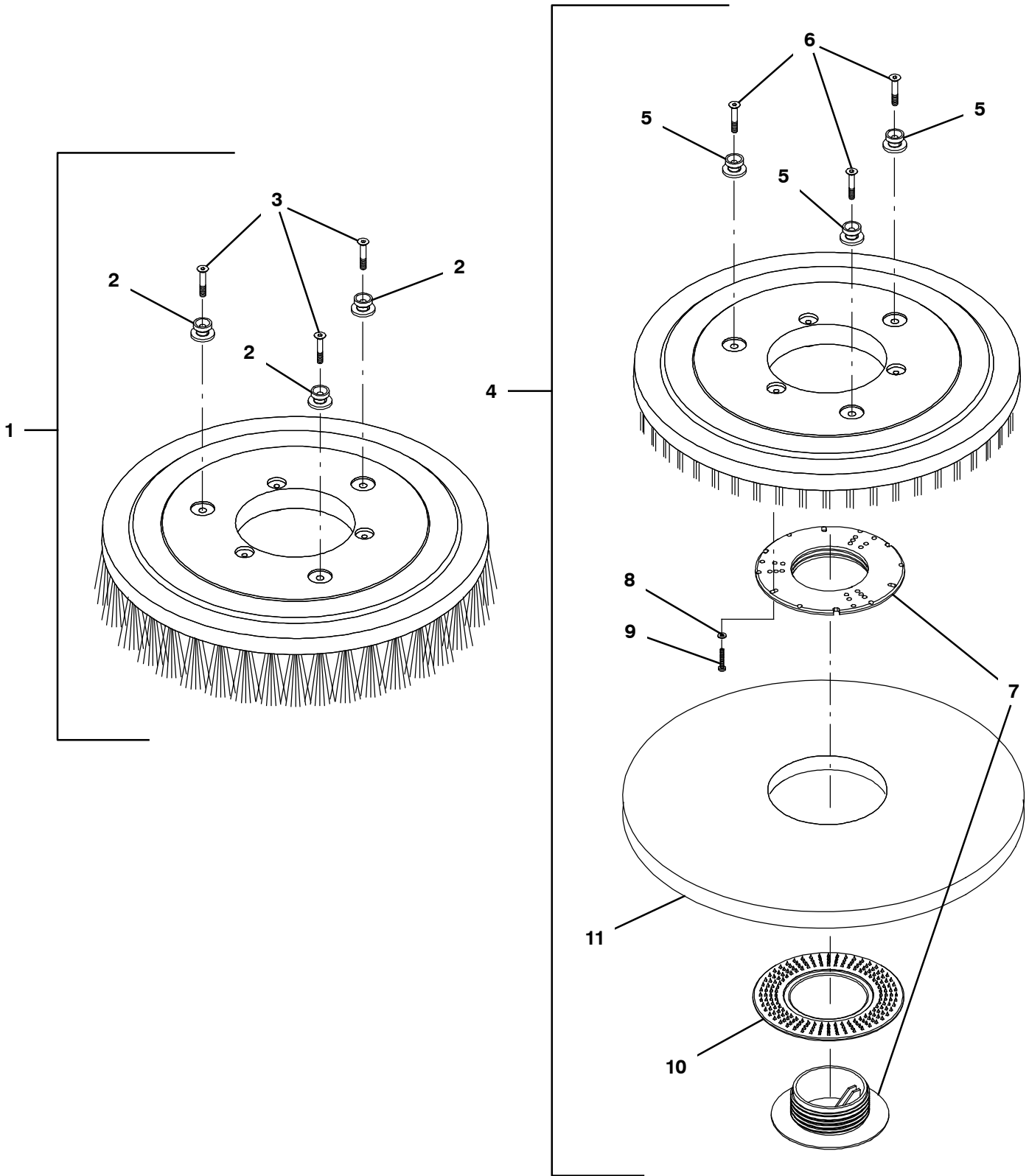
# RECOMMENDED MAINTENANCE ITEMS

## GENERAL RECOMMENDED MAINTENANCE ITEMS

Part No.	Serial Number	Description	Qty.
1016763	(00000000-	) Brush Assy, Disk, Scb, 17.0d, Abr (Gray)	1
1016764	(00000000-	) Brush Assy, Disk, Scb, 17.0d, Nyl (White)	1
1016765	(00000000-	) Brush Assy, Disk, Scb, 17.0d, Pyp (Black)	1
1050273	(00000000-	) Pad, Polish, 17.0d, White [1pick=1pad]	1
1050271	(00000000-	) Pad, Buff, 17.0d, Red [1pick=1pad]	1
1050270	(00000000-	) Pad, Scb, 17.0d, Blue [1pick=1pad]	1
1050267	(00000000-	) Pad, Stripping, 17.0d, Brown[1pick=1pad]	1
1050262	(00000000-	) Pad, Stripping, 17.0d[Hi Pro,1pick=1pad]	1
1051028	(00000000-	) Pad, Surf Prep, 17.0d [Mar, 1pick=1pad]	1
1022797	(00000000-	) Seal, Bulb, Str, .295grv, 66.93l	1
1036757	(00000000-	) Tray, Debris	1
▽	1042346	(00000000-) Hose Assy, Drain, 1.50id X 22.5l, Blk	1
▲▽	1008639	(00000000-) Cap, Drain Assy	1
▲▲	1019563	(00000000-) Strap, Cap, Drain	1
▲▲	1008637	(00000000-) Seal, Org, 1.48id 1.76od	1
1045506	(00000000-	) Seal, Bulb, 90, 0.49d .08- .09grip 004.9l	2
1045189	(00000000-	) Strainer, Fill	1
630052	(00000000-	) Float, Shut- Off, (2)Ball, 1.75d	1
1013628	(00000000-	) Gasket, Mtg, Float, .125th, Neo, Adh	1
1037106	(00000000-	) Gasket, Adapter, Hose .13, Neo	1
372883	(00000000-	) Vr, Brush Kit, Motor, Ele (1Pkg = 2Pc)	1
100038	(00000000-	) Gasket, .50, 02.63id 05.75od, Adh [Epdm]	1
▽	1011402	(00000000-) Switch, Key	1
▲	1017696	(00000000-) Key Set, Replmt [F/ Keyswitch 1011402]	1
606780	(00000000-	) Circuitbreaker, 30.0a, Resetable	1
1043250	(00000000-	) Caster, Swivel, Plate, 70d X 40w X 95h	2
1040129	(00000000-	) Wheel, 07.0d 1.50w, Pyu, Gray	2
1045790	(10572326-	) Brush Kit, Replmt,Carbon 24vdc[1pk=1set] (For Motor 1062544)	1
222615	(00000000- 10572325 )	Vr, Brush, Motor, Ele [lp 572012] (1Pkg = 1Pc) (For Motor 1028301)	4
1014283	(00000000-	) Pad, Adh, 28mm X 36mm, Blk [Non- Slip]	1
▽	9004851	(00000000-) Squeegee Assy Kit [T2]	1
▲	1010560	(00000000-) Wheel, Bmpr, 80d X 25w, Non- Marking	2
▲	630477	(00000000-) Wheel, Pyu, 02.0d 0.38w, Gray	1
▲	1045384	(00000000-) Blade, Sqge, Rear, 27.84l Ure (Standard)	1
1045383	(00000000-	) Blade, Sqge, Rear, 27.84l Gum (Optional)	1
1040626	(00000000-	) Blade, Sqge, Rear, 27.84l Linatex (Optional)	1
▲	1045381	(00000000-) Blade, Sqge, Front, 26.93l Ure (Standard)	1
1045380	(00000000-	) Blade, Sqge, Front, 26.93l Gum (Optional)	1
1040983	(00000000-	) Blade, Sqge, Front, 26.93l Linatex (Optional)	1
1014079	(00000000-	) Clip, Grip, Hose, 1.50id, Dbl, Blk Pyp	1
1042313	(00000000-	) Hose, Vacuum, 1.50id X 049.6l, 2cuff	1
610906	(00000000-	) Hook, Cord [Viper]	2

REPLACEMENT BRUSHES AND PAD DRIVER GROUP

355102



## REPLACEMENT BRUSHES AND PAD DRIVER GROUP

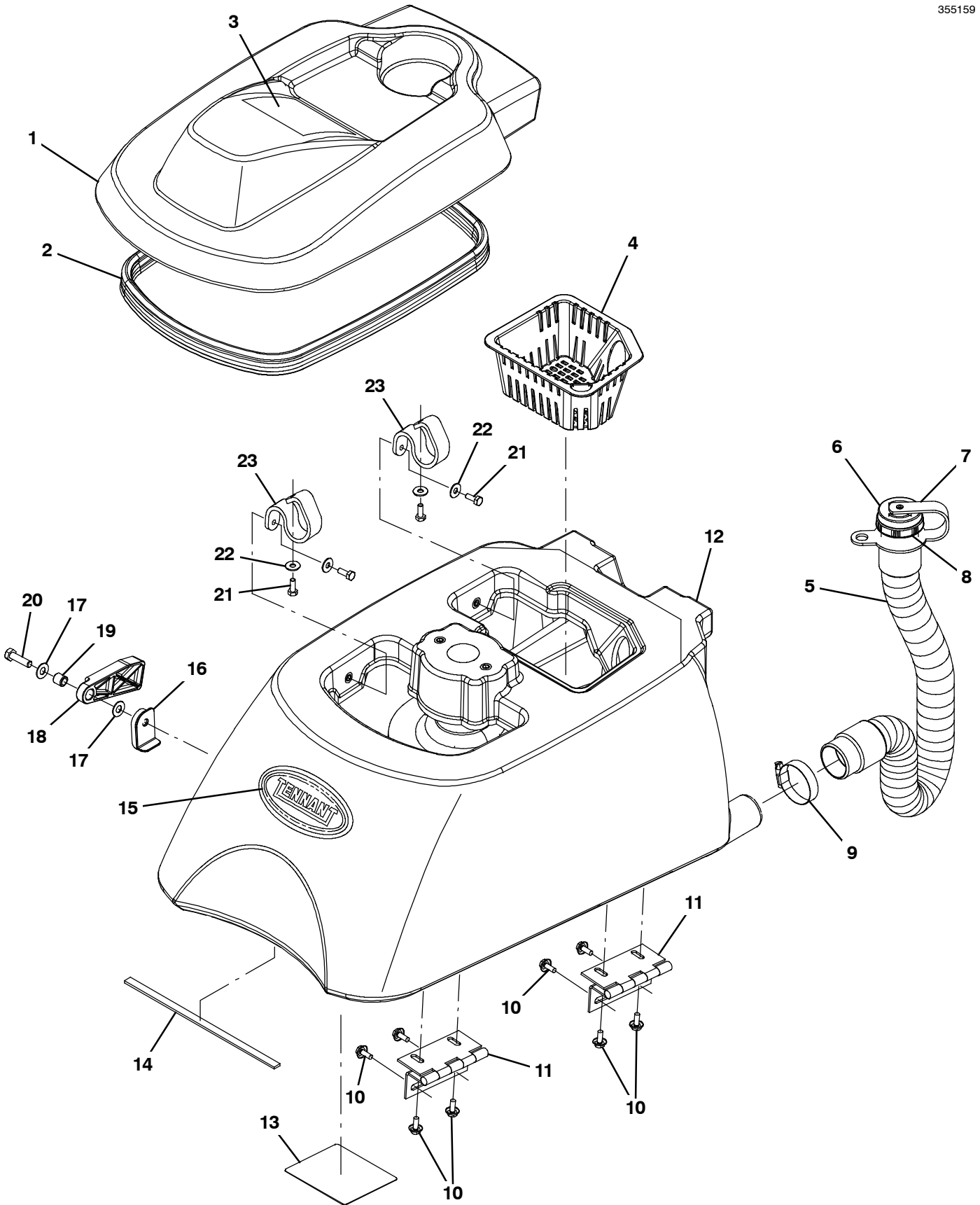
Ref.	Part No.	Serial Number	Description	Qty.
▽	1	1016763	(00000000- ) Brush Assy, Disk, Scb, 17.0d, Abr (Gray)	1
▽	1	1016764	(00000000- ) Brush Assy, Disk, Scb, 17.0d, Nyl (White)	1
▽	1	1016765	(00000000- ) Brush Assy, Disk, Scb, 17.0d, Pyp (Black)	1
▲	2	1013018	(00000000- ) Stud, Drive, Brush Pad	3
▲	3	1021316	(00000000- ) Screw, Flt, Phl, M6 X 1.00 X 35, Ss	3
▽	4	1016813	(00000000- ) Driver Assy, Pad, 17.0d, Brush	1
▲	5	1013018	(00000000- ) Stud, Drive, Brush Pad	3
▲	6	1021316	(00000000- ) Screw, Flt, Phl, M6 X 1.00 X 35, Ss	3
▲	7	32506	(00000000- ) Device, Centering, Rh Pad Retainer	1
▲	8	41579	(00000000- ) Washer, Flat, 08, Ss	3
▲	9	04403	(00000000- ) Screw, Pan, Phl, M4 X 0.70 X 25, Ni, Ss	3
▲	10	32505	(00000000- ) Washer, Flat, 92b 156d 2.6l, Pad Driver	1
	11	1050273	(00000000- ) Pad, Polish, 17.0d, White [1pick=1pad]	1
	11	1050271	(00000000- ) Pad, Buff, 17.0d, Red [1pick=1pad]	1
	11	1050270	(00000000- ) Pad, Scb, 17.0d, Blue [1pick=1pad]	1
	11	1050267	(00000000- ) Pad, Stripping, 17.0d, Brown[1pick=1pad]	1
	11	1050262	(00000000- ) Pad, Stripping, 17.0d[Hi Pro,1pick=1pad]	1
	11	1051028	(00000000- ) Pad, Surf Prep, 17.0d [Mar, 1pick=1pad]	1

▽ ASSEMBLY

▲ INCLUDED IN ASSEMBLY

RECOVERY TANK GROUP

355159





## RECOVERY TANK GROUP

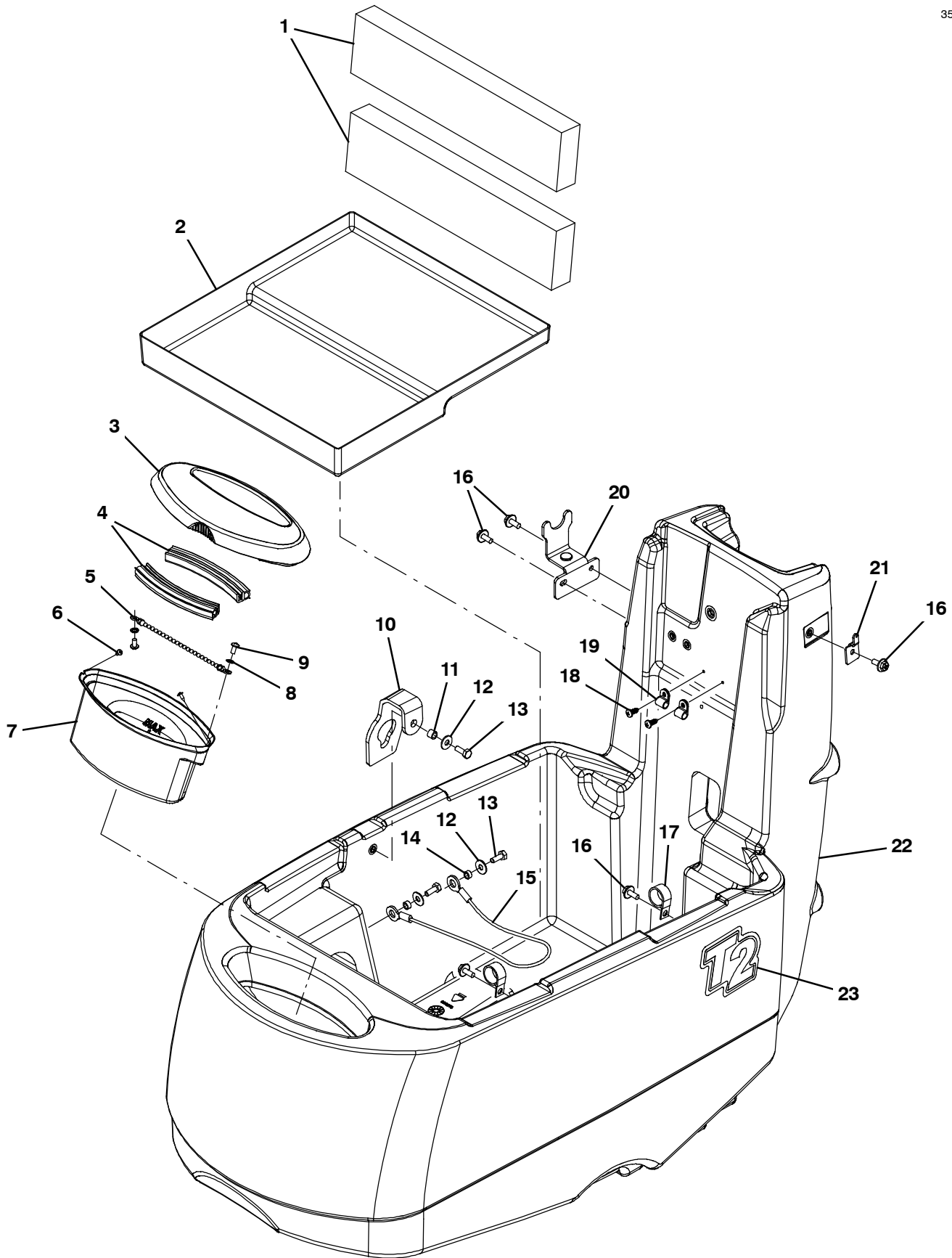
	Ref.	Part No.	Serial Number	Description	Qty.
▽	1	9009222	(00000000-	) Tank Kit, Rec Lid W/ Labels, Na [T2]	1
▲	2	1022797	(00000000-	) Seal, Bulb, Str, .295grv, 66.93l	1
▲	3	1026387	(00000000-	) Label, Warning [Dc Scr/Ext/Brn En/Fr/Es]	1
	4	1036757	(00000000-	) Tray, Debris	1
▽	5	1042346	(00000000-	) Hose Assy, Drain, 1.50id X 22.5l, Blk	1
▲▽	6	1008639	(00000000-	) Cap, Drain Assy	1
▲▲	7	1019563	(00000000-	) Strap, Cap, Drain	1
▲▲	8	1008637	(00000000-	) Seal, Org, 1.48id 1.76od	1
	9	11531	(00000000-	) Clamp, Hose, Wormdrive, 1.06- 2.00d, .56w	1
	10	1034731	(00000000-	) Screw, Hex, M6 X 1.00 X 16, Ss, Sems	8
	11	1012540	(00000000-	) Hinge, 6mm Pin 2.5 73.5mmw 100mml, Bent	2
▽	12	9004846	(00000000-	) Tank Kit, Recovery W/ Labels	1
▲	13	1042356	(00000000-	) Label, Instr, Battery [T2]	1
▲	14	222639	(00000000-	) Seal, Rbr, Clsd, .13, .38w 36.0l, Adh	1
▲	15	1039084	(00000000-	) Label, Logo, White, Tennant, 5.5"Lg	1
	16	1022904	(00000000-	) Bracket, Sppt, Stop, Blk, Nyl	1
	17	140027	(00000000-	) Washer, Flat, 0.35b 0.75d .04, Ss	2
	18	1022399	(00000000-	) Support, Tank, Prop, Blk, Nyl	1
	19	222460	(00000000-	) Sleeve, P/M, 0.31b 0.50d 0.5l [430ss]	1
	20	1039118	(00000000-	) Screw, Btn, M8 X 1.25 X 30, Blk	1
	21	11329	(00000000-	) Screw, Hex, M6 X 1.00 X 16, NI, Ss	4
	22	01684	(00000000-	) Washer, Flat, 0.27b 0.69d .05, Ss	4
	23	1018946	(00000000-	) Strap, Retaining, 20mm X 159mm X 4.8,Blk	2

▽ ASSEMBLY

▲ INCLUDED IN ASSEMBLY

SOLUTION TANK GROUP

355160



## SOLUTION TANK GROUP

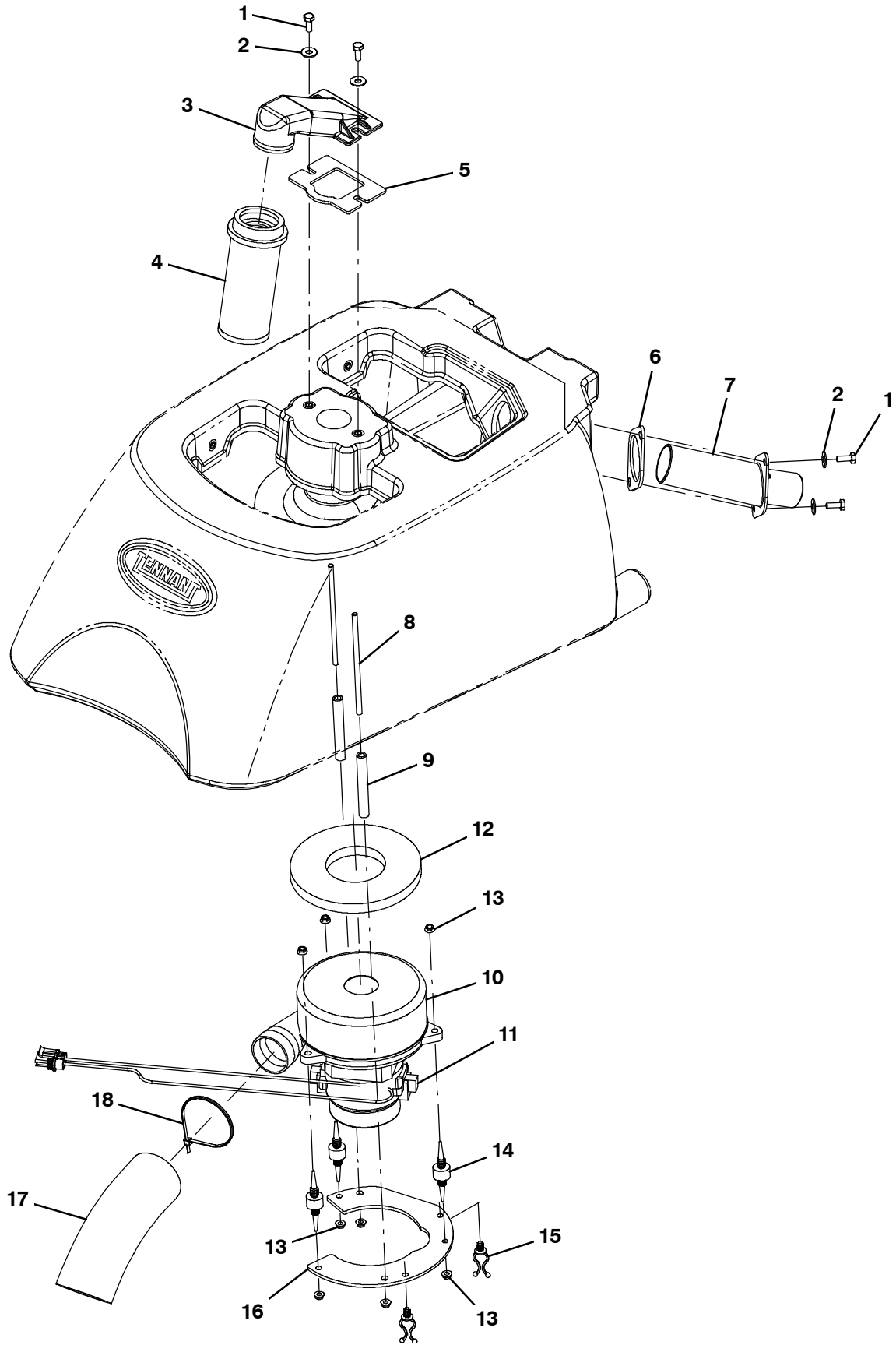
Ref.	Part No.	Serial Number	Description	Qty.
1	630375	(00000000-	) Spacer, Battery, 1.25 X 3.3 X 13.7, Foam	2
2	1039967	(00000000-	) Tray, Battery	1
3	1045309	(00000000-	) Cover, Fill, Front [T2]	1
4	1045506	(00000000-	) Seal, Bulb, 90, 0.49d .08- .09grip 004.9l	2
5	621443	(00000000-	) Chain, Ball, 10, 0157mml, Ss	1
6	3701.6	(00000000-	) Screw, Pan, Phl, 06- 32 X 0.38, Shtmtl,Ss	2
7	1045189	(00000000-	) Strainer, Fill	1
8	07514	(00000000-	) Washer, Lock, Int, 10, Ss	2
9	606915	(00000000-	) Screw, Pan, 10- 16 X 0.38, F/ Plstc, Ss	2
10	1041789	(00000000-	) Strap, Hanger, Brush	1
11	140134	(00000000-	) Sleeve, P/M, 0.25b 0.38d 0.3l, Stl	1
12	01684	(00000000-	) Washer, Flat, 0.27b 0.69d .05, Ss	3
13	11329	(00000000-	) Screw, Hex, M6 X 1.00 X 16, NI, Ss	3
14	1001553	(00000000-	) Bushing, Sleeve, 0.25b 0.36d 0.16l, Stl	2
15	391368	(00000000-	) Cable, Glv .09d 016.5l .38eye /.38eye	1
16	1034731	(00000000-	) Screw, Hex, M6 X 1.00 X 16, Ss, Sems	5
17	630343	(00000000-	) Clamp, Cable, Stl, 0.88d X 0.50w, 1hole	2
18	1018155	(00000000-	) Screw, Pan, Phl, M5 X 0.80 X 16, Tcut,Ss	2
19	140324	(00000000-	) Clamp, Cable, Nyl, 0.31d, Blk	2
20	1043670	(00000000-	) Bracket, Hanger, Sqge	1
21	601460	(00000000-	) Clip, Hanger, Hose, .25d Hole, Clr Pl	1
▽	22	9004845	) Tank Kit, Solution W/ Labels [T2]	1
▲	23	1042354	) Label, Side T2	2

▽ ASSEMBLY

▲ INCLUDED IN ASSEMBLY

VACUUM FAN GROUP

355161



## VACUUM FAN GROUP

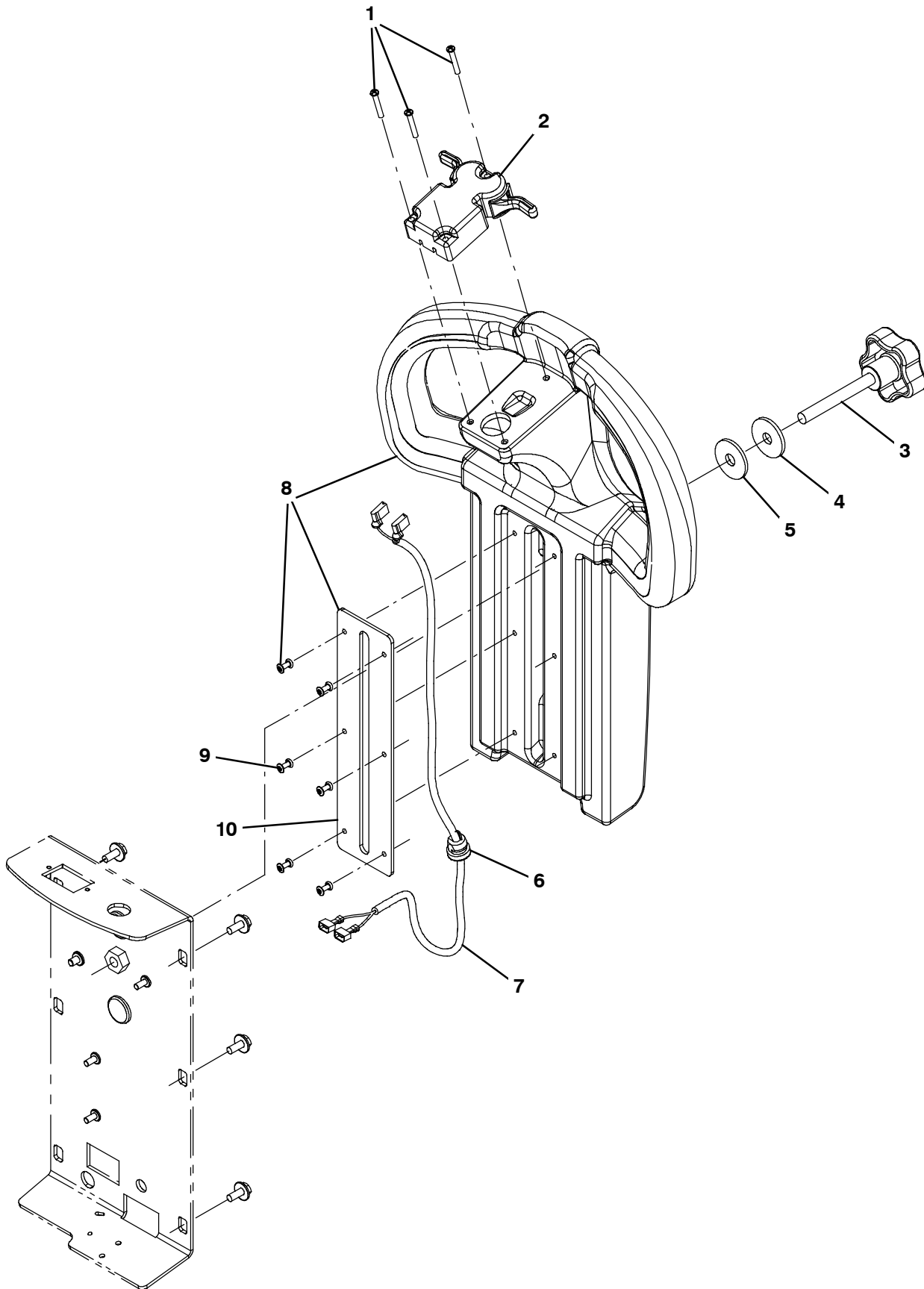
Ref.	Part No.	Serial Number	Description	Qty.
1	11329	(00000000-	) Screw, Hex, M6 X 1.00 X 16, NI, Ss	4
2	01684	(00000000-	) Washer, Flat, 0.27b 0.69d .05, Ss	4
3	1011777	(00000000-	) Mount, Float, Mold	1
4	630052	(00000000-	) Float, Shut- Off, (2)Ball, 1.75d	1
5	1013628	(00000000-	) Gasket, Mtg, Float, .125th, Neo, Adh	1
6	1037106	(00000000-	) Gasket, Adapter, Hose .13, Neo	1
7	1037064	(00000000-	) Tube, Hose, Adapter, 1.5d	1
8	1015412	(00000000-	) Rod, Thrd, Full, M06 X 1.0 05.5l	2
9	1024575	(00000000-	) Tube, 0.28id 0.43od 03.3l, PI	2
▽	10	9008931	(00000000-) Motor Kit, Vacuum, 24vdc, Afmkt	1
▲	11	372883	(00000000-) Vr, Brush Kit, Motor, Ele (1Pkg = 2Pc)	1
▲	12	100038	(00000000-) Gasket, .50, 02.63id 05.75od, Adh [Epdm]	1
	13	1040381	(00000000-) Nut, Hex, Flng, M6 X 1.0, Ss [Serrated]	8
	14	1062016	(00000000-) Isolator, Vib, .75d	3
	15	30406	(00000000-) Clip, Keeper	2
	16	1041779	(00000000-) Bracket, Mtg, Vacuum	1
	17	1068577	(00000000-) Muffler, Exhaust, Vacfan, 150mml [T2/T3]	1
	18	130773	(00000000-) Tie, Cable, Nyl, 11.0l, .14w, 3.0 Max. D	1

▽ ASSEMBLY

▲ INCLUDED IN ASSEMBLY

HANDLE GROUP

355162



## HANDLE GROUP

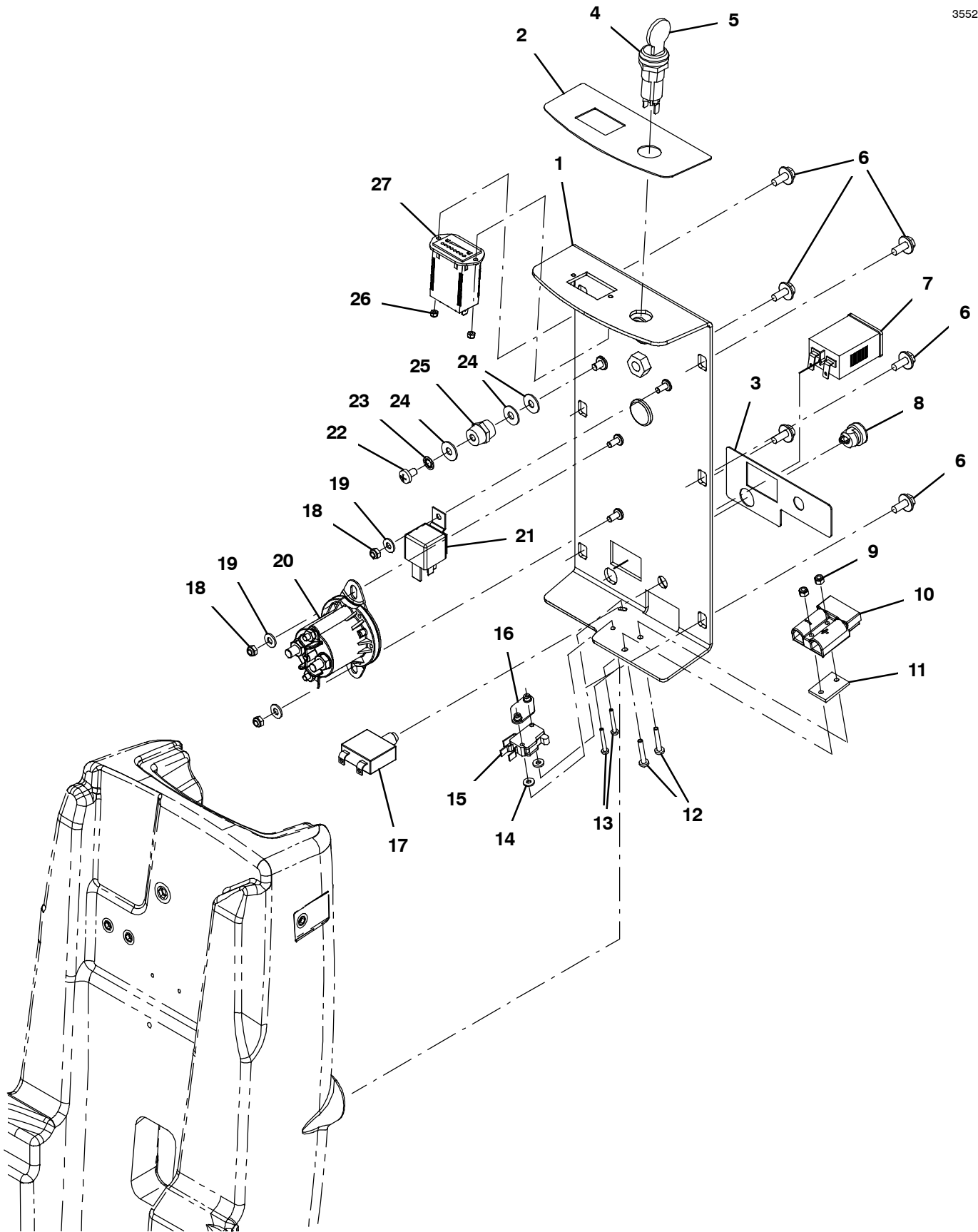
Ref.	Part No.	Serial Number	Description	Qty.	
1	1032889	(00000000-	) Screw, Pan, Phl, 8- 18 X 1.12, F/ Plstc	3	
2	1063200	(00000000-	) Controlbox Assy, Trigger [Hawk Gray]	1	
3	1041059	(00000000-	) Knob, Adj M10 X Stud 5- Lobe Blk	1	
4	1049480	(00000000-	) Washer, .4" id X 1.5" od X .037" Thk W/rbr	1	
5	395119	(00000000-	) Washer, Flat, 0.41b 1.38d .12, Stl	1	
6	130110	(00000000-	) Strainrelief, Bshg [Sr6l- 1]	1	
7	1047353	(00000000-	) Cord Assy, Handle	1	
▽	8	9004853	(00000000-	) Handle Assy Kit [T2]	1
▲	9	1021677	(00000000-	) Rivet, Blind, .154d X 0.55 X .38d, Ss	6
▲	10	1040903	(00000000-	) Rail, Handle	1

▽ ASSEMBLY

▲ INCLUDED IN ASSEMBLY

CONTROL PANEL GROUP (S/N 10675132- )

355278





## CONTROL PANEL GROUP (S/N 10675132- )

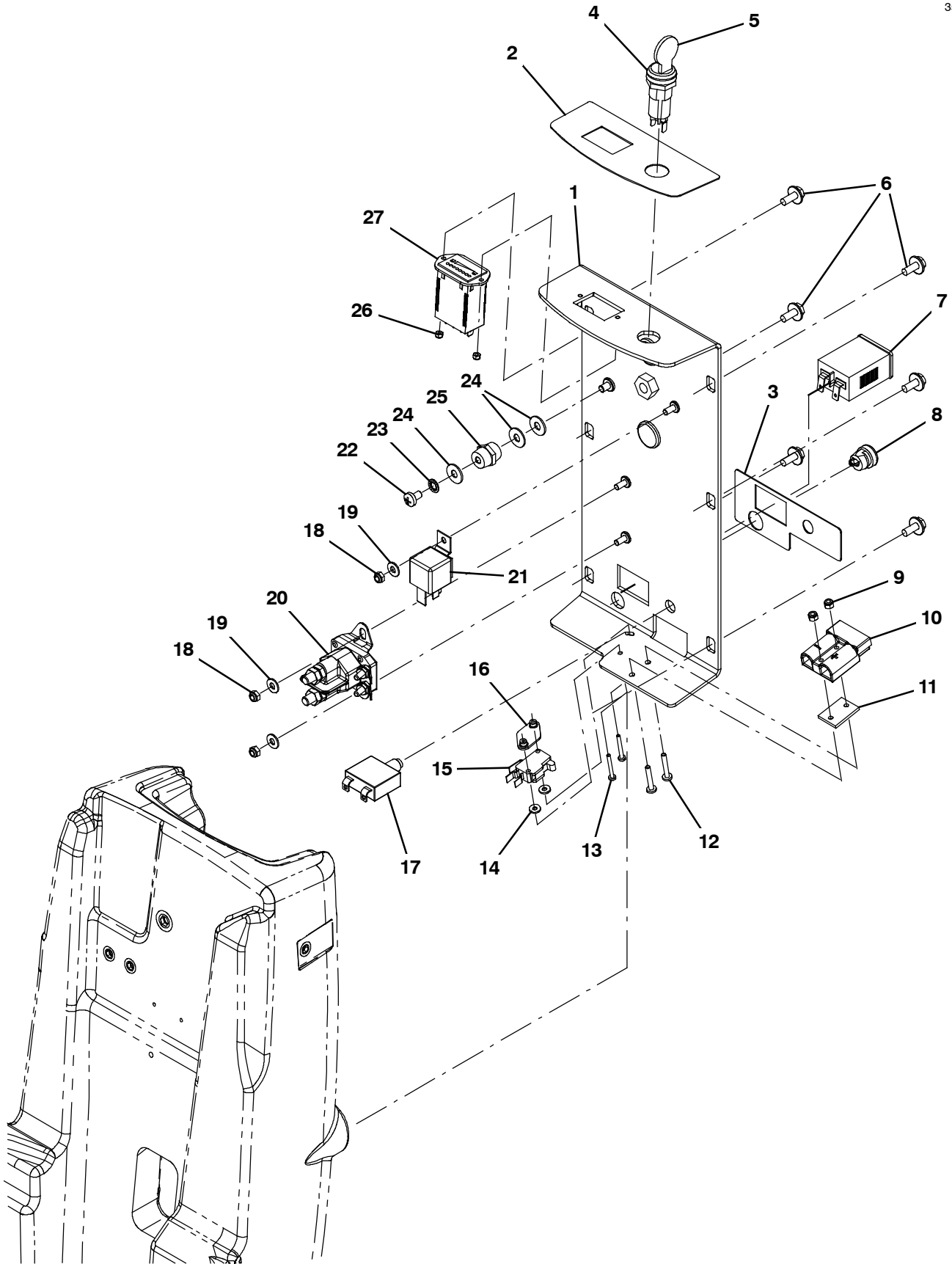
Ref.	Part No.	Serial Number	Description	Qty.
▽	1	9011353	(10675132- ) Control Panel Kit, Panel W/ Labels [T2]	1
▲	2	1042357	(00000000- ) Label, Control Panel Top	1
▲	3	1042358	(00000000- ) Label, Control Panel Bottom	1
▽	4	1011402	(00000000- ) Switch, Key	1
▲	5	1017696	(00000000- ) Key Set, Replmt [F/ Keyswitch 1011402]	1
	6	1034731	(00000000- ) Screw, Hex, M6 X 1.00 X 16, Ss, Sems	6
	7	1064038	(00000000- ) Gauge, Hourmeter, 05- 277 Volt, Ac / Dc	1
	8	130110	(00000000- ) Strainrelief, Bshg [Sr6l- 1]	1
	9	33932	(00000000- ) Nut, Hex, Lock, M4 X 0.70, NI, Ss	2
	10	605387	(00000000- ) Connector, Anderson, 50a,Red W/O Contact	1
	11	603331	(00000000- ) Spacer, Plug, Chrgr	1
	12	1033197	(00000000- ) Screw, Pan, Phl, M4 X 0.70 X 25, Ss	2
	13	33933	(00000000- ) Screw, Pan, Phl, M3 X 0.50 X 25, Ss	2
	14	41578	(00000000- ) Washer, Flat, 06, Ss	2
	15	611005	(00000000- ) Switch, Rlr, 16a, Micro	1
	16	1013705	(00000000- ) Plate, Thread, Switch, M3 Nut, 96hr PI	1
	17	606780	(00000000- ) Circuitbreaker, 30.0a, Resetable	1
	18	09739	(00000000- ) Nut, Hex, Lock, M5 X 0.80, NI, Ss	3
	19	01683	(00000000- ) Washer, Flat, 10, Ss	3
	20	1066409	(10675132- ) Relay, 24vdc, 150a, No [Trombetta]	1
	21	1012216	(00000000- ) Relay, 24vdc, 070a, Spst No, Plug- In	1
	22	48732	(00000000- ) Screw, Pan, Phl, M6 X 1.00 X 10, Ss	1
	23	07515	(00000000- ) Washer, Lock, Int, 0.25, Ss	1
	24	01684	(00000000- ) Washer, Flat, 0.27b 0.69d .05, Ss	3
	25	1013523	(00000000- ) Stand- Off, Wir, M6	1
	26	579211	(00000000- ) Nut, Hex, Lock, M3 X 0.50, NI, Ss	2
	27	1011625	(00000000- ) Gauge, Discharge, Battery, 24vdc, Led	1

▽ ASSEMBLY

▲ INCLUDED IN ASSEMBLY

CONTROL PANEL GROUP (S/N 0000000- 10675131)

355087



## CONTROL PANEL GROUP (S/N 0000000- 10675131)

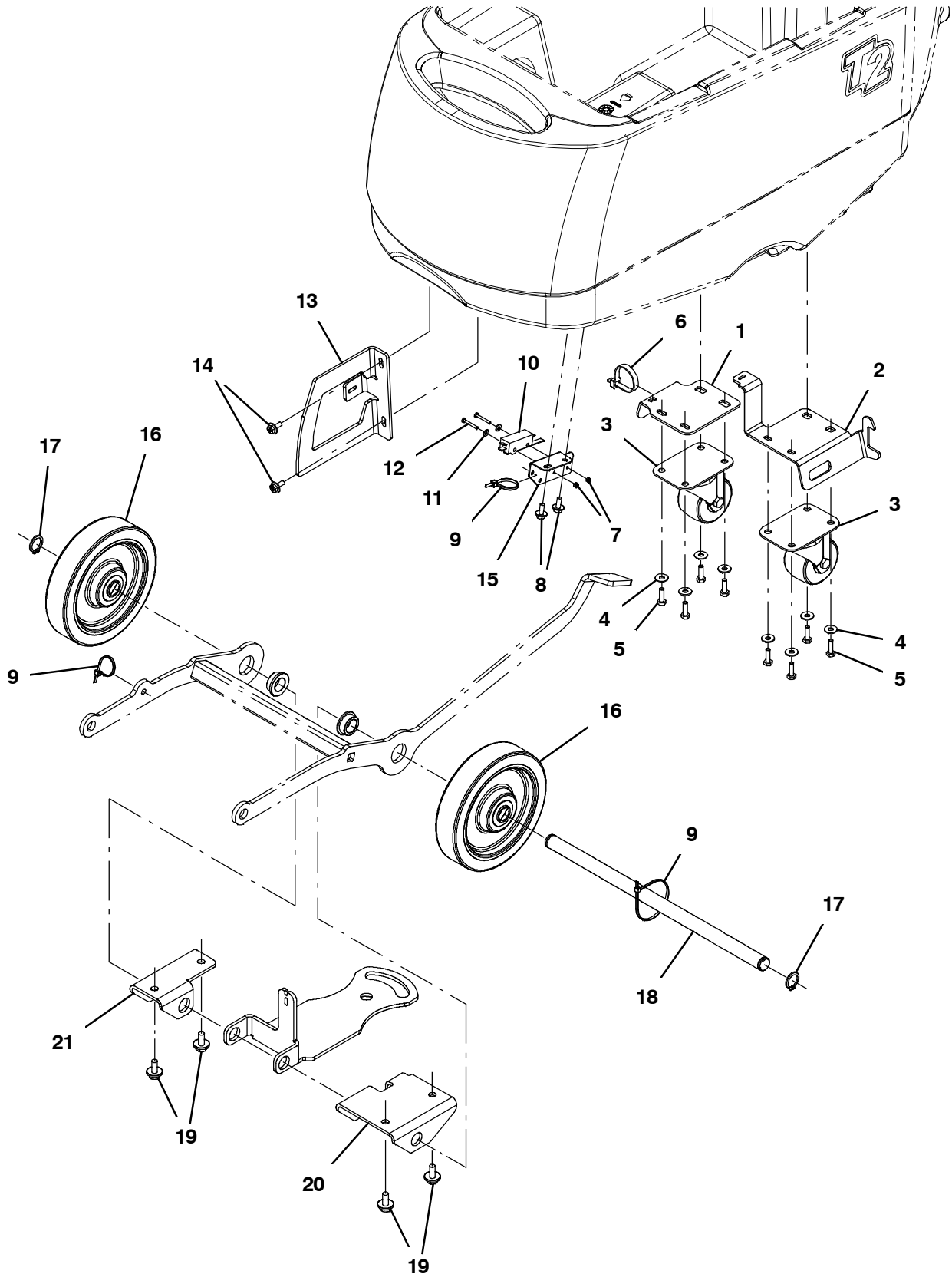
Ref.	Part No.	Serial Number	Description	Qty.
▽	1	9004852	(00000000- 10675131 ) Control Panel Kit, Panel W/ Labels [T2]	1
▲	2	1042357	(00000000- ) Label, Control Panel Top	1
▲	3	1042358	(00000000- ) Label, Control Panel Bottom	1
▽	4	1011402	(00000000- ) Switch, Key	1
▲	5	1017696	(00000000- ) Key Set, Replmt [F/ Keyswitch 1011402]	1
	6	1034731	(00000000- ) Screw, Hex, M6 X 1.00 X 16, Ss, Sems	6
	7	1064038	(00000000- ) Gauge, Hourmeter, 05- 277 Volt, Ac / Dc	1
	8	130110	(00000000- ) Strainrelief, Bshg [Sr6l- 1]	1
	9	33932	(00000000- ) Nut, Hex, Lock, M4 X 0.70, NI, Ss	2
	10	605387	(00000000- ) Connector, Anderson, 50a,Red W/O Contact	1
	11	603331	(00000000- ) Spacer, Plug, Chrgr	1
	12	1033197	(00000000- ) Screw, Pan, Phl, M4 X 0.70 X 25, Ss	2
	13	33933	(00000000- ) Screw, Pan, Phl, M3 X 0.50 X 25, Ss	2
	14	41578	(00000000- ) Washer, Flat, 06, Ss	2
	15	611005	(00000000- ) Switch, Rlr, 16a, Micro	1
	16	1013705	(00000000- ) Plate, Thread, Switch, M3 Nut, 96hr PI	1
	17	606780	(00000000- ) Circuitbreaker, 30.0a, Resetable	1
	18	09739	(00000000- ) Nut, Hex, Lock, M5 X 0.80, NI, Ss	3
	19	01683	(00000000- ) Washer, Flat, 10, Ss	3
	20	1038490	(00000000- 10675131 ) Relay, 24vdc, 100a, No [Trombetta]	1
	21	1012216	(00000000- ) Relay, 24vdc, 070a, Spst No, Plug- In	1
	22	48732	(00000000- ) Screw, Pan, Phl, M6 X 1.00 X 10, Ss	1
	23	07515	(00000000- ) Washer, Lock, Int, 0.25, Ss	1
	24	01684	(00000000- ) Washer, Flat, 0.27b 0.69d .05, Ss	3
	25	1013523	(00000000- ) Stand- Off, Wir, M6	1
	26	579211	(00000000- ) Nut, Hex, Lock, M3 X 0.50, NI, Ss	2
	27	1057622	(00000000- ) Indicator, Battery, 24vdc, 1.86volt/Cell (Replaced by 1011625)	1

▽ ASSEMBLY

▲ INCLUDED IN ASSEMBLY

WHEEL GROUP (S/N 10728234- )

355375

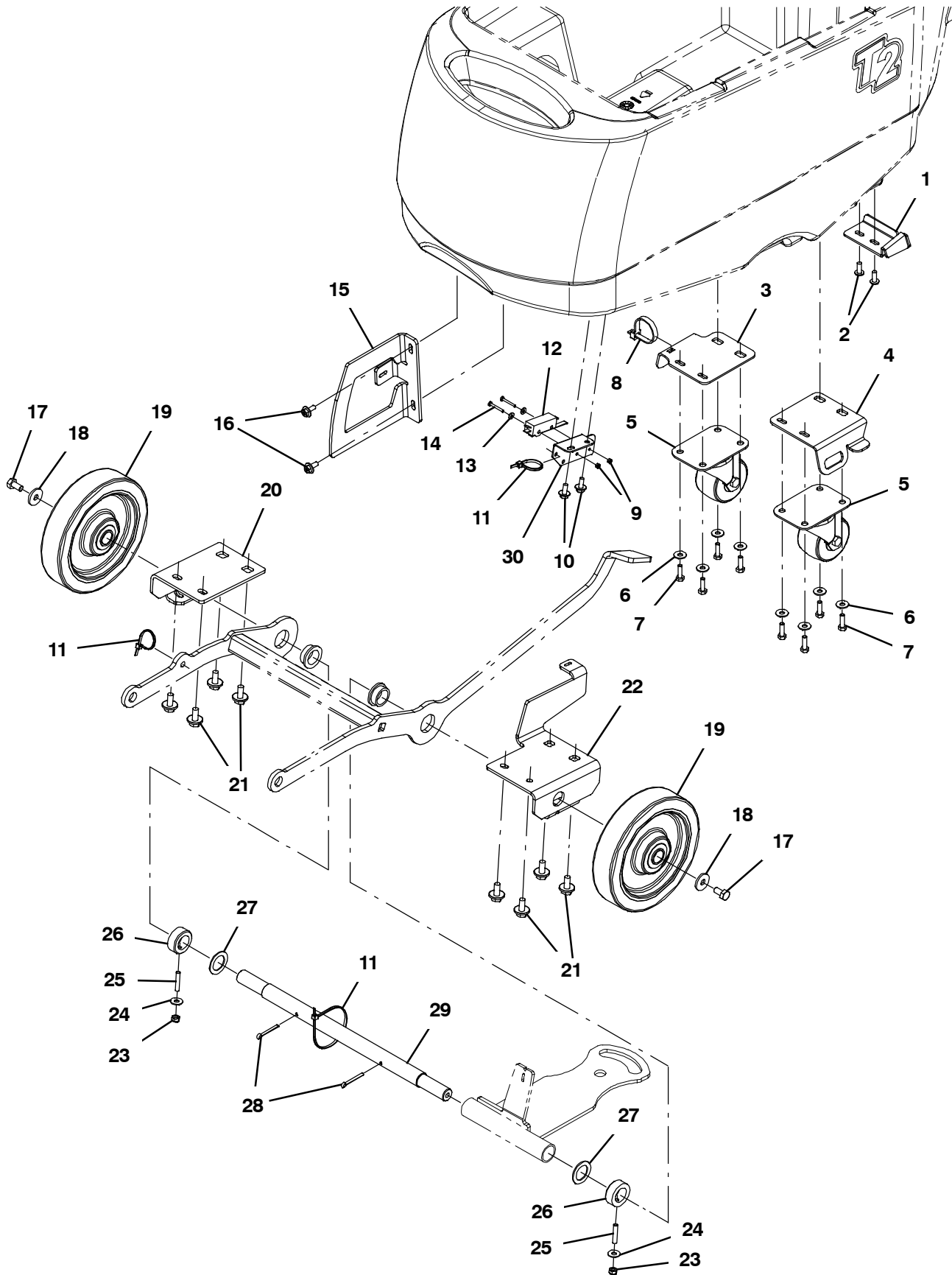


## WHEEL GROUP (S/N 10728234- )

Ref.	Part No.	Serial Number	Description	Qty.
1	1041339	(00000000-	) Bracket, Caster, Rh	1
2	1074265	(10728234-	) Bracket, Caster, Lift Latch [T2]	1
3	1043250	(00000000-	) Caster, Swivel, Plate, 70d X 40w X 95h	2
4	01684	(00000000-	) Washer, Flat, 0.27b 0.69d .05, Ss	8
5	12277	(00000000-	) Screw, Hex, M6 X 1.00 X 20, NI, Ss	8
6	44961	(00000000-	) Tie, Cable, Nyl, 14.5l .30w 4.0 Max D	1
7	579211	(00000000-	) Nut, Hex, Lock, M3 X 0.50, NI, Ss	2
8	1034731	(00000000-	) Screw, Hex, M6 X 1.00 X 16, Ss, Sems	2
9	130773	(00000000-	) Tie, Cable, Nyl, 11.0l, .14w, 3.0 Max. D	3
10	1008142	(00000000-	) Switch, Snap, 25a Spdt	1
11	41578	(00000000-	) Washer, Flat, 06, Ss	2
12	33933	(00000000-	) Screw, Pan, Phl, M3 X 0.50 X 25, Ss	2
13	1040691	(00000000-	) Bracket, Guide, Roller	1
14	1034731	(00000000-	) Screw, Hex, M6 X 1.00 X 16, Ss, Sems	2
15	1040762	(00000000-	) Bracket, Switch, Lift, Head	1
16	1040129	(00000000-	) Wheel, 07.0d 1.50w, Pyu, Gray	2
17	26428	(10728234-	) Ring, Retaining, Ext, 0.75d, Hd	2
18	1074251	(10728234-	) Axle, Wheel, Main, 19d X 414l, Znc [T2]	1
19	1020341	(10728234-	) Screw, Hex, M8 X 1.25 X 20, Ss, Sems	4
20	1074253	(10728234-	) Bracket, Mtg, Axle, Lh [T2]	1
21	1074250	(10728234-	) Bracket, Mtg, Axle, Rh [T2]	1

WHEEL GROUP (S/N 0000000- 10728233)

355090

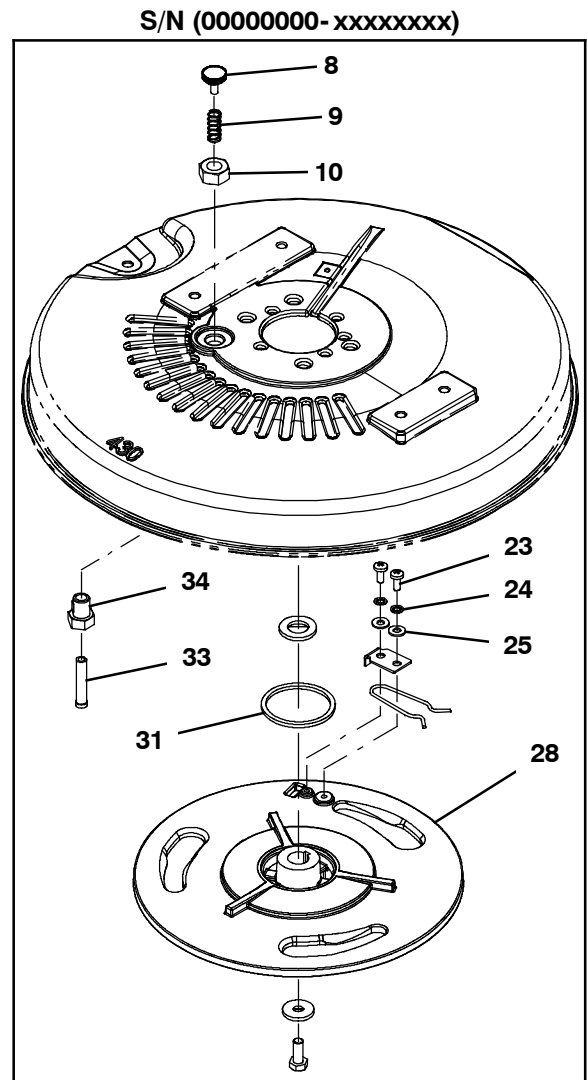
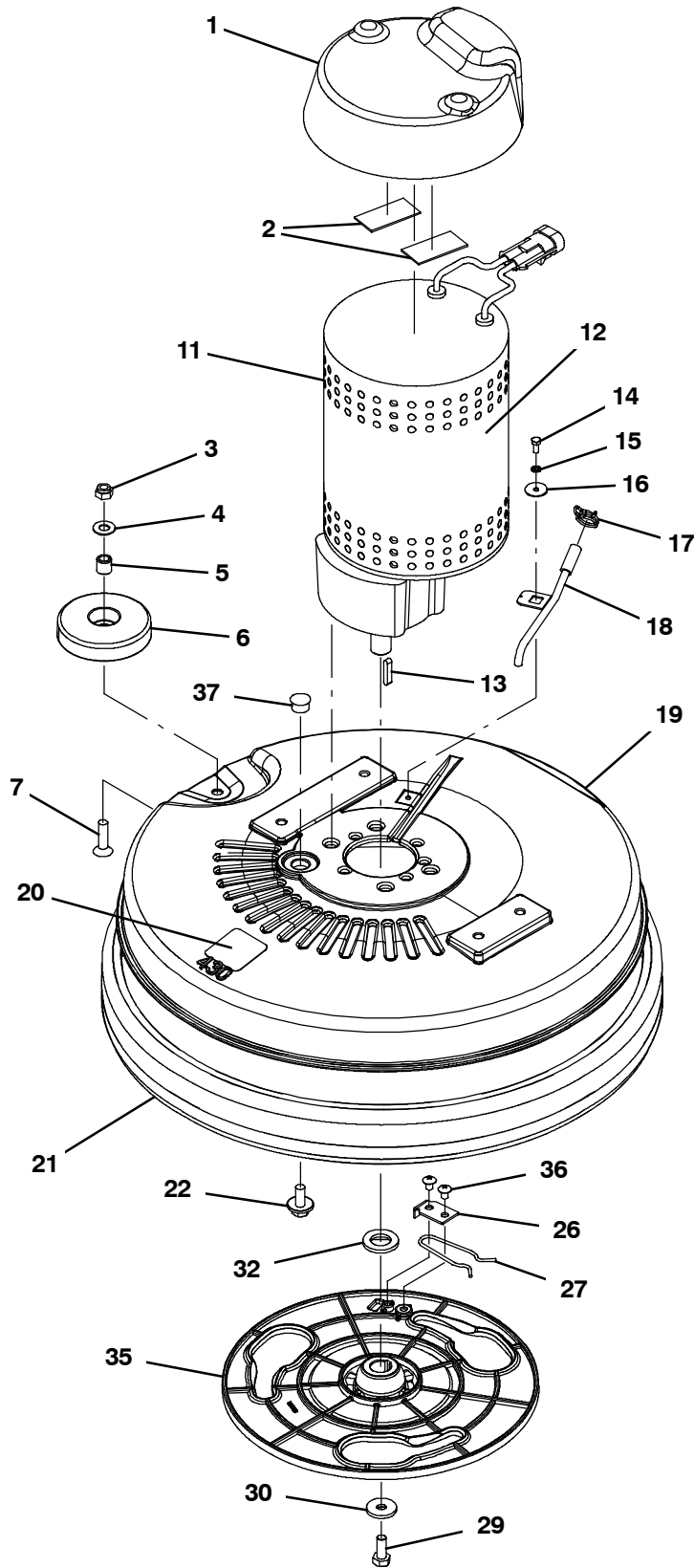


## WHEEL GROUP (S/N 0000000- 10728233)

Ref.	Part No.	Serial Number	Description	Qty.
1	1044404	(0000000- 10728233 )	Bracket, Locking, Pedal, Foot	1
2	608322	(0000000- 10728233 )	Screw, Trs, M6 X 1.00 X 16, Phl, Ss	2
3	1041339	(0000000- )	Bracket, Caster, Rh	1
4	1045639	(0000000- 10728233 )	Bracket, Caster, Lh	1
5	1043250	(0000000- )	Caster, Swivel, Plate, 70d X 40w X 95h	2
6	01684	(0000000- )	Washer, Flat, 0.27b 0.69d .05, Ss	8
7	12277	(0000000- )	Screw, Hex, M6 X 1.00 X 20, NI, Ss	8
8	44961	(0000000- )	Tie, Cable, Nyl, 14.5l .30w 4.0 Max D	1
9	579211	(0000000- )	Nut, Hex, Lock, M3 X 0.50, NI, Ss	2
10	1034731	(0000000- )	Screw, Hex, M6 X 1.00 X 16, Ss, Sems	2
11	130773	(0000000- )	Tie, Cable, Nyl, 11.0l, .14w, 3.0 Max. D	3
12	1008142	(0000000- )	Switch, Snap, 25a Spdt	1
13	41578	(0000000- )	Washer, Flat, 06, Ss	2
14	33933	(0000000- )	Screw, Pan, Phl, M3 X 0.50 X 25, Ss	2
15	1040691	(0000000- )	Bracket, Guide, Roller	1
16	1034731	(0000000- )	Screw, Hex, M6 X 1.00 X 16, Ss, Sems	2
17	49826	(0000000- 10728233 )	Screw, Hex, M8 X 1.25 X 16, NI, Ss	2
18	1017218	(0000000- 10728233 )	Washer, Flat, 0.32b 1.00d .12, Ss	2
19	1040129	(0000000- )	Wheel, 07.0d 1.50w, Pyu, Gray	2
20	1040929	(0000000- )	Bracket, Mtg, Axle, Rh	1
21	1020341	(0000000- 10728233 )	Screw, Hex, M8 X 1.25 X 20, Ss, Sems	8
22	1040293	(0000000- 10728233 )	Bracket, Mtg, Axle, Lh	1
23	08712	(0000000- 10728233 )	Nut, Hex, Lock, M6 X 1.00, NI, Ss	2
24	01684	(0000000- 10728233 )	Washer, Flat, 0.27b 0.69d .05, Ss	2
25	1025853	(0000000- 10728233 )	Screw, Set, Soc, M6 X 1.00 X 35, NI, Ss	2
26	1046211	(0000000- 10728233 )	Collar, Axle, 22 Id X 36 Od X 14 W	2
27	82226	(0000000- 10728233 )	Washer, Flat, 0.91b 1.38d .06, Stl, Pl	2
28	08236	(0000000- 10728233 )	Pin, Cotter, .156 X 1.25	2
29	1040291	(0000000- 10728233 )	Axle, Wheel, Main	1
30	1040762	(0000000- )	Bracket, Switch, Lift, Head	1

SCRUB HEAD GROUP, 43 CM (S/N 10572326- )

355277





SCRUB HEAD GROUP, 43 CM (S/N 10572326- )

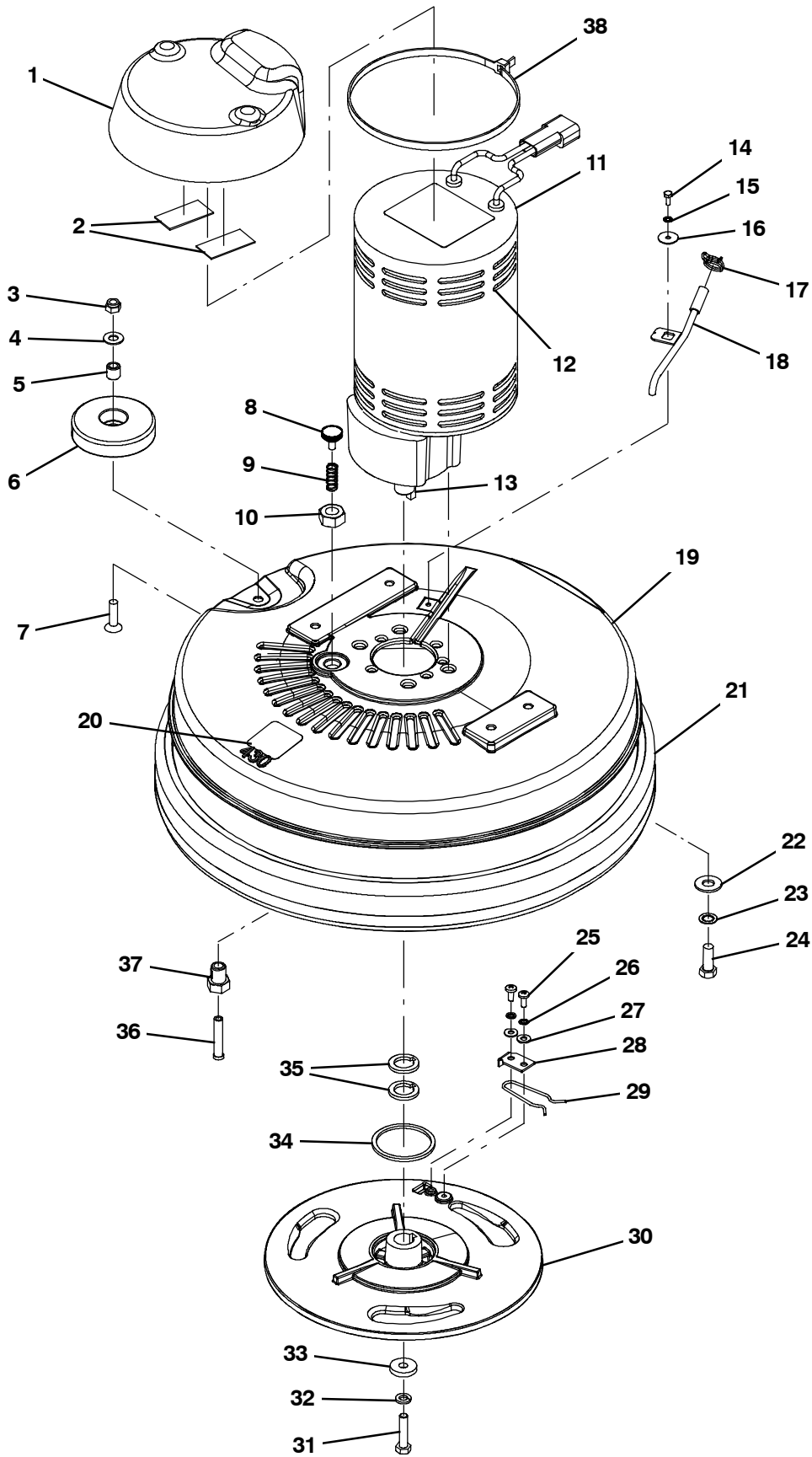
Ref.	Part No.	Serial Number	Description	Qty.	
1	1047235	(00000000-	) Cover, Brush, Motor	1	
2	606243	(00000000-	) Tape, Foam, Acrylic, 1.0w X 12.0l	2	
3	08713	(00000000-	) Nut, Hex, Lock, M8 X 1.25, NI, Ss	1	
4	140027	(00000000-	) Washer, Flat, 0.35b 0.75d .04, Ss	1	
5	222460	(00000000-	) Sleeve, P/M, 0.31b 0.50d 0.5l [430ss]	1	
6	1010560	(00000000-	) Wheel, Bmpr, 80d X 25w, Non- Marking	1	
7	79506	(00000000-	) Screw, Flt, Soc, M8 X 1.25 X 30, Ss	1	
8	603012	(00000000- xxxxxxxx	) Knob, Rnd, 19.0d M6 X 12, Stud, Plstc,PI (Replaced by 9014623)	1	
9	1037400	(00000000- xxxxxxxx	) Spring, Cmpr, .42od, .04wir, 1.0l, PI,Mw (Replaced by 9014623)	1	
10	1037470	(00000000- xxxxxxxx	) Nut, Hex, M14 X 2.00, Ss (Replaced by 9014623)	1	
▽	11	1062544	(10572326-	) Motor, Ele, 24vdc 0200rpm 1.00hp, 17mm	1
▲	12	1045790	(10572326-	) Brush Kit, Replmt, Carbon 24vdc[1pk=1set]	1
▲	13	1014328	(10572326-	) Key, Sq, 05mm X 05mm, 25mml	1
	14	1020234	(00000000-	) Screw, Hex, M4 X 0.70 X 10, Ss	1
	15	02938	(00000000-	) Washer, Lock, Int, 08, Ss	1
	16	1009168	(00000000-	) Washer, Flat, 0.17b 0.75d .04, Ss	1
	17	607775	(00000000-	) Clamp, Hose, Wir, .63 - .66, Blk	1
	18	1016155	(00000000-	) Tube Wldt, Supply, Water	1
▽	19	9004849	(00000000-	) Scrubhead Kit, Housing W/ Label [T2]	1
▲	20	578769	(00000000-	) Label, Parts, Moving [Textless]	1
	21	1055019	(00000000-	) Bumper, Head, 43cm, W/ Bristle Skirt, Im	1
	22	1020341	(10572326-	) Screw, Hex, M8 X 1.25 X 20, Ss, Sems	4
	23	09200	(00000000- xxxxxxxx	) Screw, Pan, Phl, M5 X 0.80 X 12, Ss	2
	24	07514	(00000000- xxxxxxxx	) Washer, Lock, Int, 10, Ss	2
	25	01683	(00000000- xxxxxxxx	) Washer, Flat, 10, Ss	2
	26	1011201	(00000000-	) Plate, Clamp, Brush	1
	27	1013188	(00000000-	) Clip, Spring, Drive Plate [T3], Clr Zn	1
	28	1063046	(10572326-	) Hub, Drive, 3lug, Alm, 17.0b [Heavy Dp] (Replaced by 9014623)	1
	29	12273	(10572326-	) Screw, Hex, M8 X 1.25 X 20, NI, Ss	1
	30	1017218	(10572326-	) Washer, Flat, 0.32b 1.00d .12, Ss	1
	31	1016426	(00000000- xxxxxxxx	) Ring, Water, Containment (Replaced by 9014623)	1
	32	1022549	(10572326-	) Spacer, Shaft, 17.15b 30.0d 3.0l, Ss	1
	33	1037399	(00000000- xxxxxxxx	) Pin, Stop, 8.3mmd X 42mml (Replaced by 9014623)	1
	34	605825	(00000000- xxxxxxxx	) Screw, Stop, Head Pin (Replaced by 9014623)	1
	35	9014623	(xxxxxxx-	) Hub Kit, Drive, 3lug, Nyl [T2/T3, T300]	1
	36	140197	(xxxxxxx-	) Screw, Trs, Phl, 10- 24 X 0.38, Sems, Ss	2
	37	02431	(xxxxxxx-	) Plug, Hole, Rnd, 0.56h .03- .12, Blk Nyl	1

▽ ASSEMBLY

▲ INCLUDED IN ASSEMBLY

SCRUB HEAD GROUP, 43 CM (S/N 0000000-10572325)

355163



## SCRUB HEAD GROUP, 43 CM (S/N 00000000- 10572325)

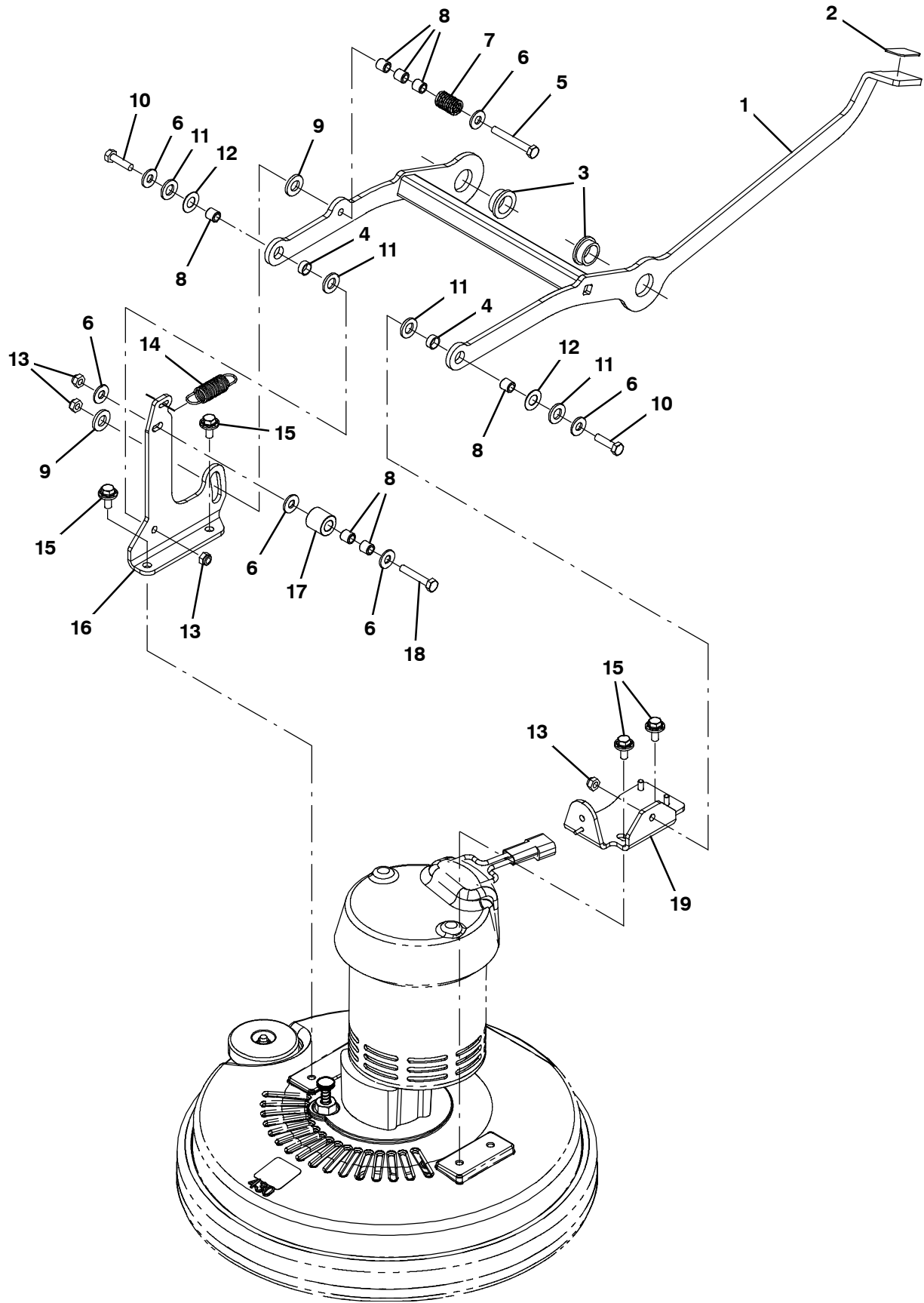
Ref.	Part No.	Serial Number	Description	Qty.	
1	1047235	(00000000-	) Cover, Brush, Motor	1	
2	606243	(00000000-	) Tape, Foam, Acrylic, 1.0w X 12.0l	2	
3	08713	(00000000-	) Nut, Hex, Lock, M8 X 1.25, NI, Ss	1	
4	140027	(00000000-	) Washer, Flat, 0.35b 0.75d .04, Ss	1	
5	222460	(00000000-	) Sleeve, P/M, 0.31b 0.50d 0.5l [430ss]	1	
6	1010560	(00000000-	) Wheel, Bmpr, 80d X 25w, Non- Marking	1	
7	79506	(00000000-	) Screw, Flt, Soc, M8 X 1.25 X 30, Ss	1	
8	603012	(00000000-	) Knob, Rnd, 19.0d M6 X 12, Stud, Plstc,PI	1	
9	1037400	(00000000-	) Spring, Cmpr, .42od, .04wir, 1.0l, Pl,Mw	1	
10	1037470	(00000000-	) Nut, Hex, M14 X 2.00, Ss	1	
▽	11	1028301	(00000000- 10572325 ) Motor, Ele, 24vdc 0200rpm 1.00hp Gear (Replaced by 1069394)	1	
▲	12	222615	(00000000- 10572325 ) Vr, Brush, Motor, Ele [lp 572012] (1Pkg = 1Pc)	4	
▲	13	00930	(00000000- 10572325 ) Key, Sq, 0.25 X 0.25, 1.50l	1	
	14	1020234	(00000000-	) Screw, Hex, M4 X 0.70 X 10, Ss	1
	15	02938	(00000000-	) Washer, Lock, Int, 08, Ss	1
	16	1009168	(00000000-	) Washer, Flat, 0.17b 0.75d .04, Ss	1
	17	607775	(00000000-	) Clamp, Hose, Wir, .63 - .66, Blk	1
	18	1016155	(00000000-	) Tube Wldt, Supply, Water	1
▽	19	9004849	(00000000-	) Scrubhead Kit, Housing W/ Label [T2]	1
▲	20	578769	(00000000-	) Label, Parts, Moving [Textless]	1
	21	1055019	(00000000-	) Bumper, Head, 43cm, W/ Bristle Skirt, Im	1
	22	01686	(00000000- 10572325 ) Washer, Flat, 0.44b 1.00d .08, Ss	4	
	23	43953	(00000000- 10572325 ) Washer, Lock, Int, 0.38, Ss	4	
	24	69225	(00000000- 10572325 ) Screw, Hex, .38- 16 X 1.00, Ss	4	
	25	09200	(00000000-	) Screw, Pan, Phl, M5 X 0.80 X 12, Ss	2
	26	07514	(00000000-	) Washer, Lock, Int, 10, Ss	2
	27	01683	(00000000-	) Washer, Flat, 10, Ss	2
	28	1011201	(00000000-	) Plate, Clamp, Brush	1
	29	1013188	(00000000-	) Clip, Spring, Drive Plate [T3], Clr Zn	1
	30	1054019	(00000000- 10572325 ) Hub, Drive, 3lug, Alm, 19.0b [Diecast]	1	
	31	1035038	(00000000- 10572325 ) Screw, Hex, .31- 18 X 1.38, Ss, NI	1	
	32	140015	(00000000- 10572325 ) Washer, Lock, Split, 0.31, Ss	1	
	33	1028796	(00000000- 10572325 ) Washer, Flat, 0.33b 1.00d .18, Stl, Pl	1	
	34	1016426	(00000000-	) Ring, Water, Containment	1
	35	621471	(00000000- 10572325 ) Spacer, 0.75b 1.12d 0.12l,	2	
	36	1037399	(00000000-	) Pin, Stop, 8.3mmd X 42mml	1
	37	605825	(00000000-	) Screw, Stop, Head Pin	1
	38	222809	(00000000- 10572325 ) Tie, Cable, Nyl, 29.8l .30w 9.0 Max D	1	

▽ ASSEMBLY

▲ INCLUDED IN ASSEMBLY

SCRUB HEAD LIFT GROUP

355095



## SCRUB HEAD LIFT GROUP

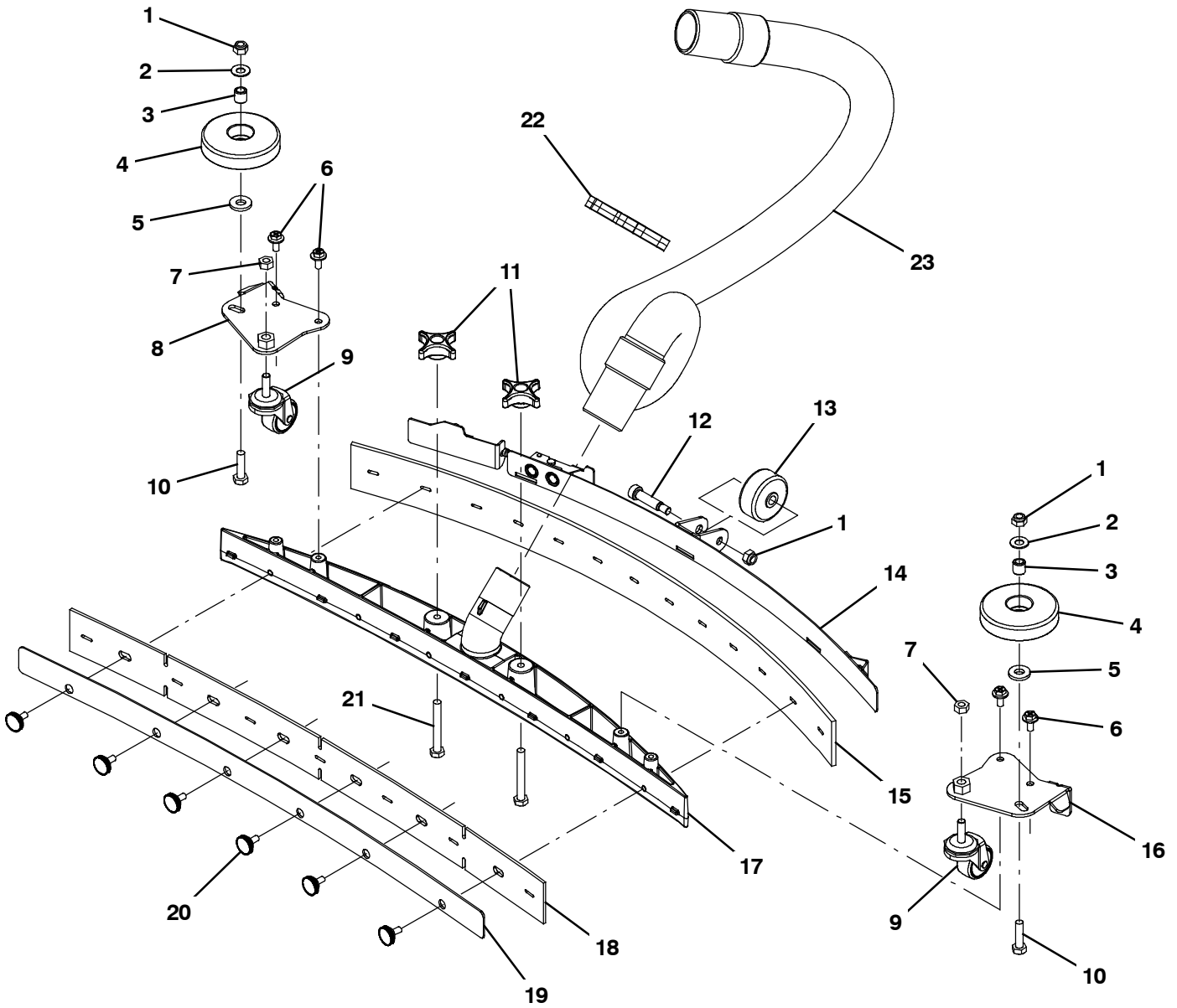
	Ref.	Part No.	Serial Number	Description	Qty.
▽	1	9013793	(10728234-	) Lift Wldt Kit, Head, 1disk, 43cm [T2]	1
▲	2	1014283	(00000000-	) Pad, Adh, 28mm X 36mm, Blk [Non- Slip]	1
▲	3	1074268	(10728234-	) Bushing, Flng, 19mmb 28mmd 12mml [T2]	2
▲	4	630188	(00000000-	) Bearing, Journal, .50id X .25l	2
▽	1	9004844	(00000000- 10728233	) Headlift Kit, Weldment Assy [T2]	1
▲	2	1014283	(00000000-	) Pad, Adh, 28mm X 36mm, Blk [Non- Slip]	1
▲	3	1040869	(00000000- 10728233	) Bushing, Flng, 22mmb 28mmd 12mml	2
▲	4	630188	(00000000-	) Bearing, Journal, .50id X .25l	2
	5	1014163	(00000000-	) Screw, Hex, M8 X 1.25 X 60, Fl, Ss	1
	6	01685	(00000000-	) Washer, Flat, 0.38b 0.88d .08, Ss	6
	7	140430	(00000000-	) Spring, Cmpr, 0.70od .10wir 01.7l	1
	8	222460	(00000000-	) Sleeve, P/M, 0.31b 0.50d 0.5l [430ss]	7
	9	140127	(00000000-	) Washer, Thrust, 0.51b 1.00d 0.12w, Brz	2
	10	09011	(00000000-	) Screw, Hex, M8 X 1.25 X 30, Ss	2
	11	1013936	(00000000-	) Washer, Flat, 0.51b 0.94d .10, Nyl	4
	12	20536- 2	(00000000-	) Washer, Flat, 0.50b 1.00d .03, Nyl	2
	13	08713	(00000000-	) Nut, Hex, Lock, M8 X 1.25, Nl, Ss	4
	14	1018916	(00000000-	) Spring, Extn, 0.75od 0.07wir 02.8l	1
	15	1020341	(00000000-	) Screw, Hex, M8 X 1.25 X 20, Ss, Sems	4
	16	1043109	(00000000-	) Bracket, Mtg, Head, Roller	1
	17	1014020	(00000000-	) Roller, Lift, Dual Disk Head	1
	18	222505	(00000000-	) Screw, Hex, M8 X 1.25 X 45, Ss	1
	19	1040950	(00000000-	) Bracket, Mtg, Head And Water Valve	1

▽ ASSEMBLY

▲ INCLUDED IN ASSEMBLY

SQUEEGEE GROUP

355091



## SQUEEGEE GROUP

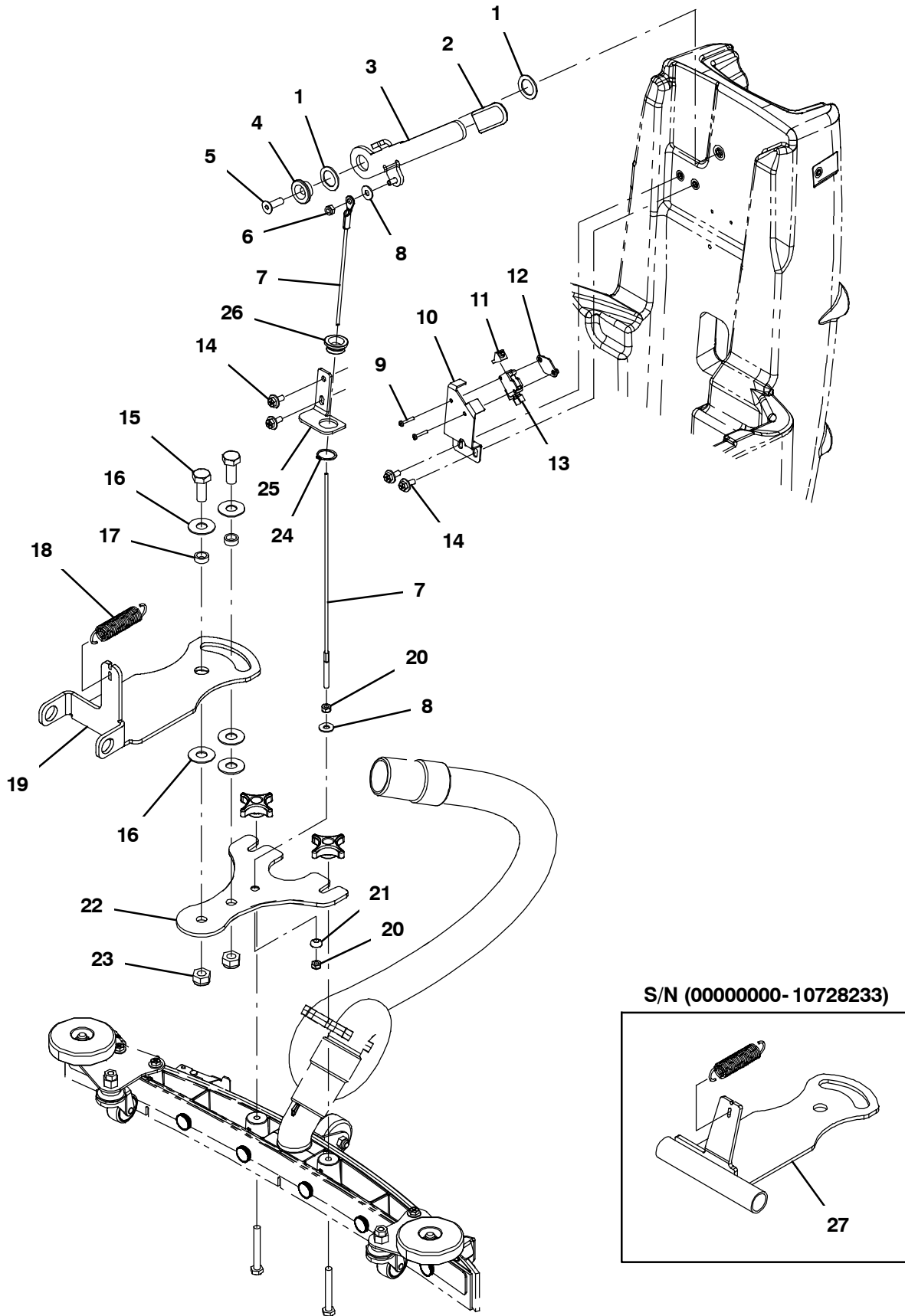
Ref.	Part No.	Serial Number	Description	Qty.
▽	9004851	(00000000-	) Squeegee Assy Kit [T2]	1
▲	1 08713	(00000000-	) Nut, Hex, Lock, M8 X 1.25, NI, Ss	3
▲	2 140027	(00000000-	) Washer, Flat, 0.35b 0.75d .04, Ss	2
▲	3 222460	(00000000-	) Sleeve, P/M, 0.31b 0.50d 0.5l [430ss]	2
▲	4 1010560	(00000000-	) Wheel, Bmpr, 80d X 25w, Non- Marking	2
▲	5 69461	(00000000-	) Washer, Flat, 0.38b 0.88d .12, Stl, Pl	2
▲	6 1034731	(00000000-	) Screw, Hex, M6 X 1.00 X 16, Ss, Sems	4
▲	7 07786	(00000000-	) Nut, Hex, Std, M8 X 1.25, Ss	2
▲	8 1042757	(00000000-	) Bracket, Caster, Bmpr Wheel, Rh	1
▲	9 1042507	(00000000-	) Caster, Swivel, 38d, M8 X 1.25, Clr Zn	2
▲	10 09011	(00000000-	) Screw, Hex, M8 X 1.25 X 30, Ss	2
▲	11 1010558	(00000000-	) Knob, Star, 2.00d 4ear 0.7l M8x1.25,Thru	2
▲	12 600187	(00000000-	) Bolt, Shld, .38d X 1.25, .31- 18	1
▲	13 630477	(00000000-	) Wheel, Pyu, 02.0d 0.38w, Gray	1
▲	14 1050699	(00000000-	) Assy, Band, Sqge, Rear [T2]	1
▲	15 1045384	(00000000-	) Blade, Sqge, Rear, 27.84l Ure (Standard)	1
	15 1045383	(00000000-	) Blade, Sqge, Rear, 27.84l Gum (Optional)	1
	15 1040626	(00000000-	) Blade, Sqge, Rear, 27.84l Linatex (Optional)	1
▲	16 1042529	(00000000-	) Bracket, Caster, Bmpr Wheel, Lh	1
▲	17 1040647	(00000000-	) Frame, Sqge	1
▲	18 1045381	(00000000-	) Blade, Sqge, Front, 26.93l Ure (Standard)	1
	18 1045380	(00000000-	) Blade, Sqge, Front, 26.93l Gum (Optional)	1
	18 1040983	(00000000-	) Blade, Sqge, Front, 26.93l Linatex (Optional)	1
▲	19 1041072	(00000000-	) Band, Sqge, Front	1
▲	20 1049977	(00000000-	) Knob, Rnd, 19.0d M6 X 12, Stud, Plstc, Ss	6
▲	21 1014163	(00000000-	) Screw, Hex, M8 X 1.25 X 60, Fl, Ss	2
	22 1014079	(00000000-	) Clip, Grip, Hose, 1.50id, Dbl, Blk Pyp	1
	23 1042313	(00000000-	) Hose, Vacuum, 1.50id X 049.6l, 2cuff	1

▽ ASSEMBLY

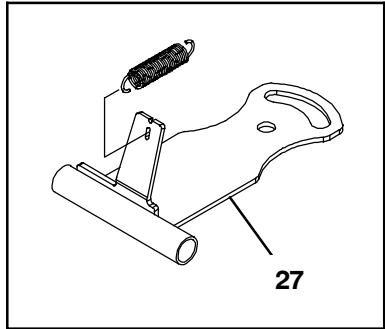
▲ INCLUDED IN ASSEMBLY

SQUEEGEE LIFT GROUP

355094



S/N (00000000-10728233)





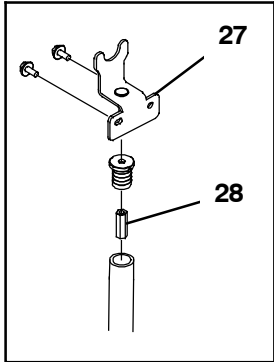
## SQUEEGEE LIFT GROUP

Ref.	Part No.	Serial Number	Description	Qty.
1	1026051	(00000000-	) Washer, Flat, 0.79b 1.18d .06, Nyl	2
2	1045878	(00000000-	) Grip, Lever, Vinyl	1
3	1042050	(00000000-	) Lever, Sqge	1
4	1041442	(00000000-	) Bushing, Retainer, M8 Fh Screw	1
5	222692	(00000000-	) Screw, Flt, Soc, M8 X 1.25 X 25, NI, Ss	1
6	08708	(00000000-	) Nut, Hex, Lock, M6 X 1.00, NI	1
7	1041472	(00000000-	) Cable, Glv 3mmd 700mml M6eye /M6- 1.0	1
8	01684	(00000000-	) Washer, Flat, 0.27b 0.69d .05, Ss	1
9	06922	(00000000-	) Screw, Pan, Phl, M3 X 0.50 X 20, 4.8	2
10	1042117	(00000000-	) Plate, Mount, Switch, Vacuum	1
11	600372	(00000000-	) Boot, Switch	1
12	1013705	(00000000-	) Plate, Thread, Switch, M3 Nut, 96hr PI	1
13	611005	(00000000-	) Switch, Rlr, 16a, Micro	1
14	1034731	(00000000-	) Screw, Hex, M6 X 1.00 X 16, Ss, Sems	4
15	12309	(00000000-	) Screw, Hex, M12 X 1.75 X 30, Ss	2
16	140045	(00000000-	) Washer, Flat, 0.51b 1.25d .06, Ss	2
17	1013662	(00000000-	) Bushing, Sleeve, 12mmb 16mmd 7mml, Pm Yel	2
18	1014131	(00000000-	) Spring, Extn, 0.62od 0.06wir 03.0l, PI	1
19	1074252	(10728234-	) Bracket, Sqge, Lift [T2]	1
20	08712	(00000000-	) Nut, Hex, Lock, M6 X 1.00, NI, Ss	2
21	1046288	(00000000-	) Washer, Spherical, 6.4b 14d, PI	1
22	1039432	(00000000-	) Bracket, Sqge, Pivot	1
23	09741	(00000000-	) Nut, Hex, Lock, M12 X 1.75, NI, Ss	2
24	621236	(00000000-	) Ring, Retaining, Ext, 0.81d	1
25	1048449	(00000000-	) Bracket, Guide, Cable	1
26	1009363	(00000000-	) Bushing, Cable	1
27	1040375	(00000000- 10728233	) Bracket Wldt, Lift, Sqge	1

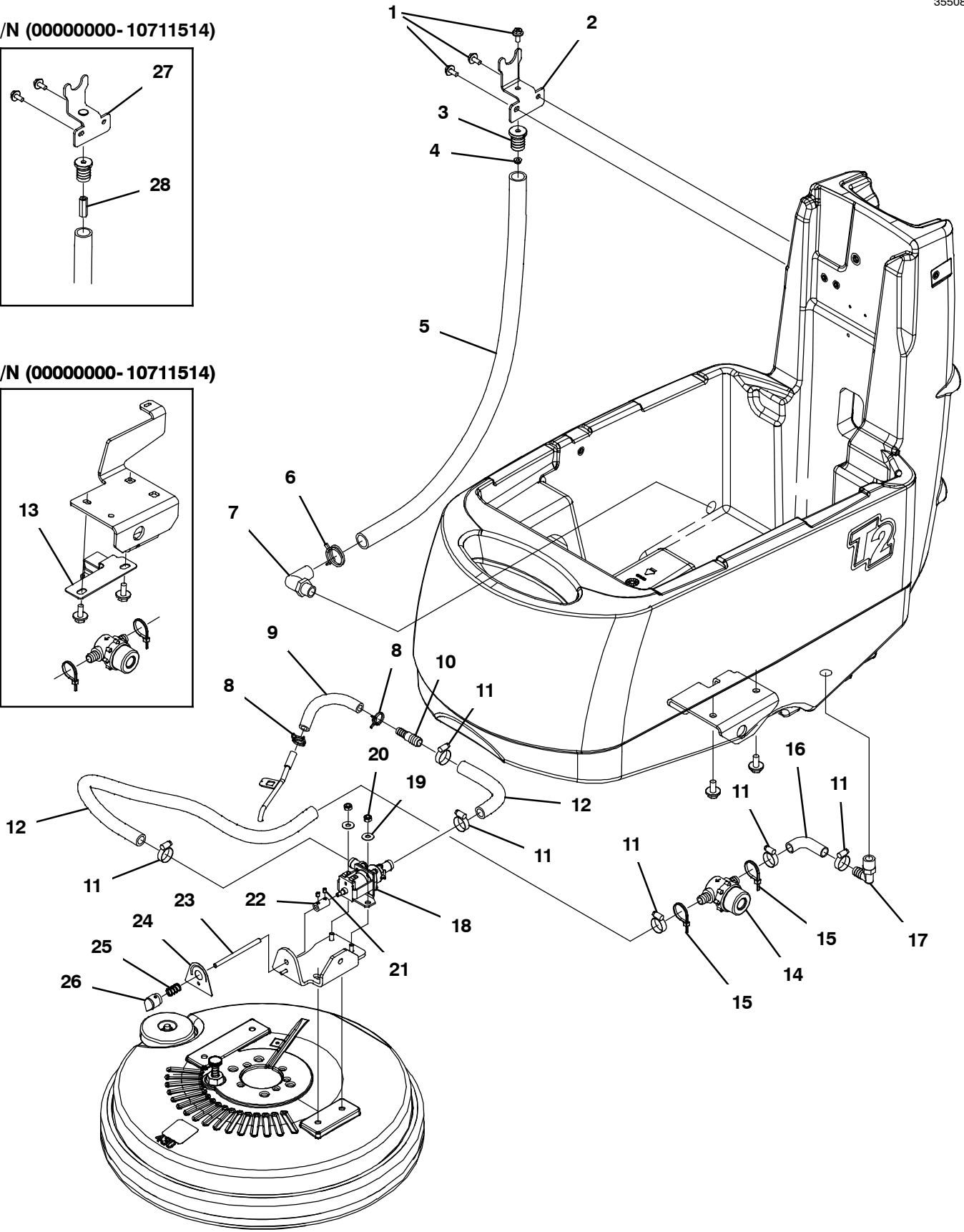
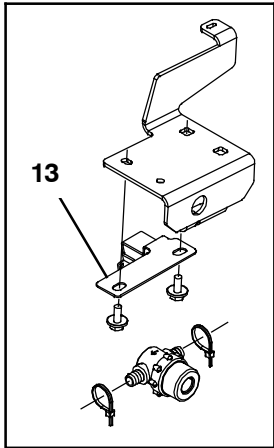
SOLUTION GROUP

355089

S/N (00000000-10711514)



S/N (00000000-10711514)



## SOLUTION GROUP

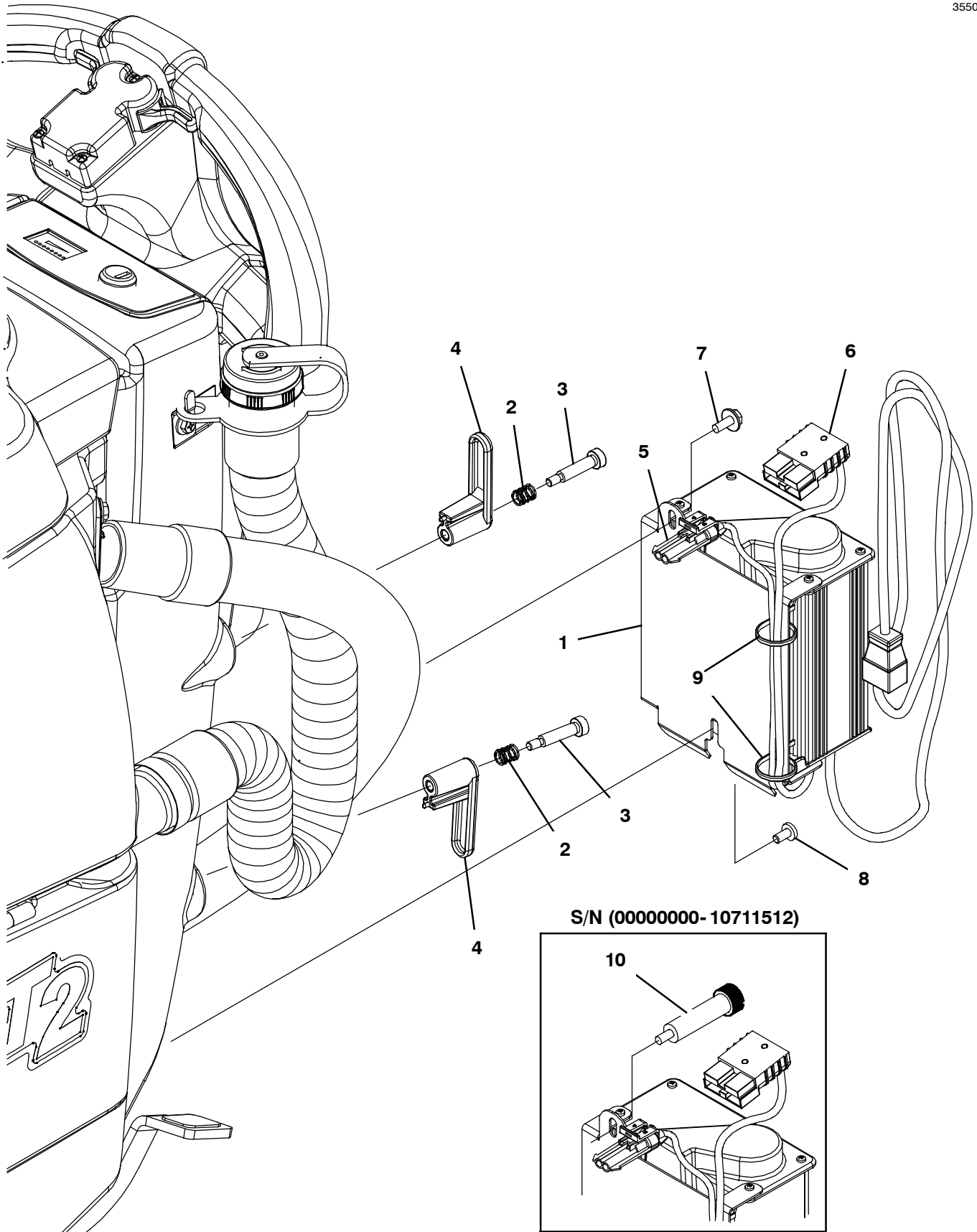
Ref.	Part No.	Serial Number	Description	Qty.	
1	1034731	(00000000-	) Screw, Hex, M6 X 1.00 X 16, Ss, Sems	3	
2	1074249	(10711515-	) Bracket, Hanger, Sqge, lg [T2]	1	
3	1035469	(00000000-	) Fitting, Plstc, Bm12 [Sight Tube]	1	
4	1040381	(10711515-	) Nut, Hex, Flng, M6 X 1.00, Ss	1	
5	1041008	(00000000-	) Hose, Drain, Soltn Tank, 0.75id, Vyl	1	
6	608915	(00000000-	) Clamp, Hose, Wir, 1.03 - 1.09	1	
7	40145	(00000000-	) Fitting, Plstc, E90, Bm12/Pm08	1	
8	607775	(00000000-	) Clamp, Hose, Wir, .63 - .66, Blk	2	
9	613451	(00000000-	) Hose, Pyu, Clr, 0.38id 0.62od 012.0l (611254)	1	
10	612774	(00000000-	) Fitting, Plstc, Str, Bm06/Bm08	1	
11	54333	(00000000-	) Clamp, Hose, Wormdrive, 0.31- 0.88d, .31w	6	
12	613531	(00000000-	) Hose, Pvc, Clr, 0.50id 0.75od 045.0l (611259)	1	
13	1047895	(00000000- 10711514	) Bracket, Mount, Filter	1	
▽	14	1047752	(00000000-	) Filter, In- Line, Bm08/Bm08	1
▲	14	613992	(00000000-	) Gasket [Viton, F/1005302]	1
▲	14	1005304	(00000000-	) Screen, Fltr, 80 Mesh, Ss	1
▲	14	613991	(00000000-	) Bowl, Clr, Short, F/1005302	1
	15	130773	(00000000-	) Tie, Cable, Nyl, 11.0l, .14w, 3.0 Max. D	2
	16	1048278	(00000000-	) Hose, Pvc, Clr E90 0.63id 0.75od	1
	17	1017532	(00000000-	) Fitting, Plstc, E90, Bm08/Pm06	1
	18	1213803	(10729457-	) Valve, Water, Solenoid, 24vdc, Bm10/Bm10	1
▽	18	1062385	(00000000- 10729456	) Valve, Water, Solenoid, 24vdc Bm10/Bm10	1
▲	18	614265	(00000000- 10729456	) Valve Kit, Water [Viton Diaphram]	1
	19	01684	(00000000-	) Washer, Flat, 0.27b 0.69d .05, Ss	2
	20	08712	(00000000-	) Nut, Hex, Lock, M6 X 1.00, NI, Ss	2
	21	20634	(00000000-	) Screw, Set, Soc, 10- 24 X 0.25, NI	2
	22	601472	(00000000-	) Coupling [5100]	1
	23	1041011	(00000000-	) Rod, Valve, Water	1
	24	1014156	(00000000-	) Label, Opertnl, Lower, Soltn Flow	1
	25	1017091	(00000000-	) Spring, Cmpr, 0.50od .04wir 00.8l	1
	26	626121	(00000000-	) Knob, Rnd, 0.72d 0.78l 0.25b, Plstc	1
	27	1043670	(00000000- 10711514	) Bracket, Hanger, Sqge (Replaced by Kit 9013299 - Includes Item #1 (Qty 1) Through Item #4)	1
	28	1044327	(00000000- 10711514	) Nut, Hex, M6 X 1.00 X 31l	1

▽ ASSEMBLY

▲ INCLUDED IN ASSEMBLY

ON-BOARD BATTERY CHARGER GROUP

355092



## ON- BOARD BATTERY CHARGER GROUP

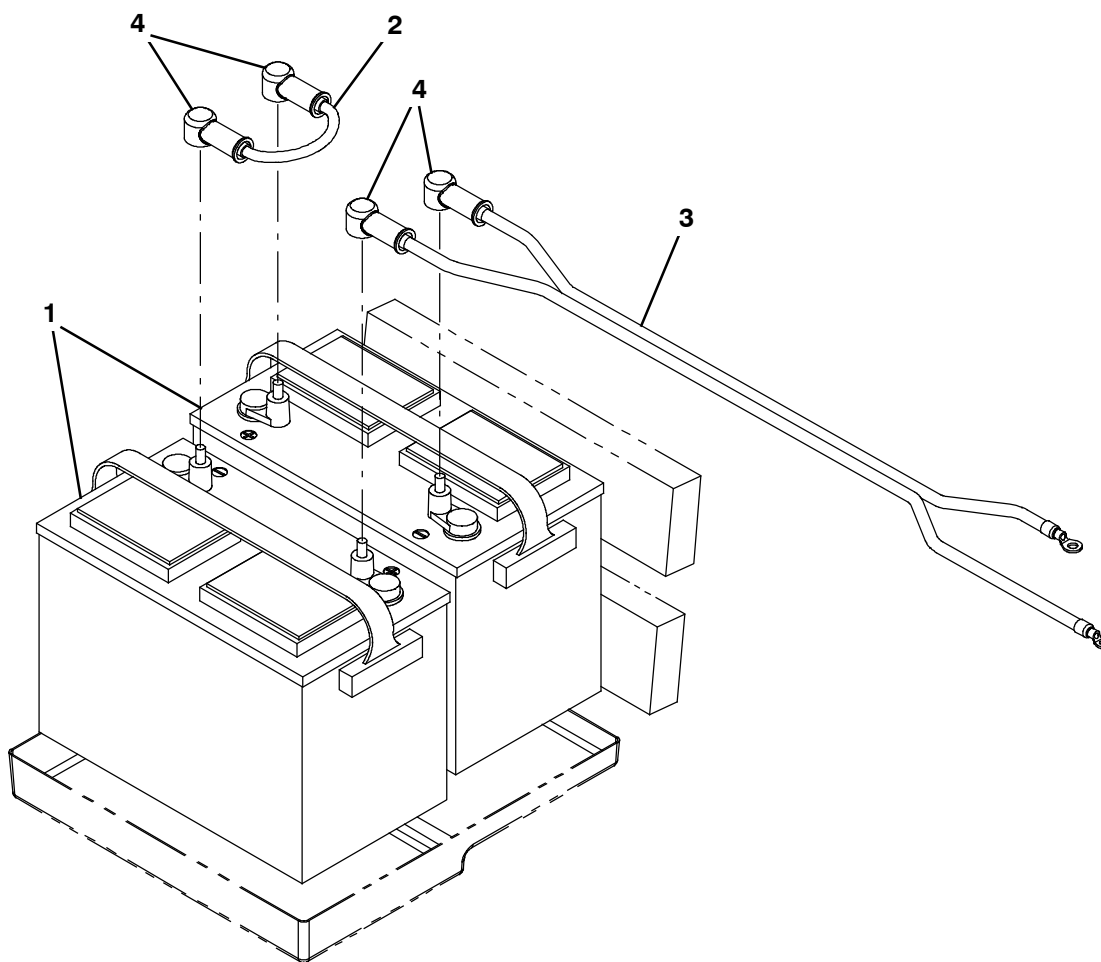
	Ref.	Part No.	Serial Number	Description	Qty.
▽	1	9008724	(00000000-	) Charger Kit, Onboard, Na [T2]	1
▲	2	611311	(00000000-	) Spring, Cmpr, 0.40od .05wir 00.5l, Pl,Mw	2
▲	3	1024965	(00000000-	) Bolt, Shld, 08mmd X 030mm, M06 X 1.0	2
▲	4	610906	(00000000-	) Hook, Cord [Viper]	2
▲	5	1020021	(00000000-	) Connector, Cap, Superseal 1.5, Replmt	1
▲	5	1020020	(00000000-	) Seal, Cable, Superseal 1.5, Replmt [Tt]	1
▲	5	1020050	(00000000-	) Receptacle, Superseal 1.5, Replmt [Tt]	1
▲	6	605387	(00000000-	) Connector, Anderson, 50a,Red W/O Contact	1
▲	7	1034731	(10711513-	) Screw, Hex, M6 X 1.00 X 16, Sems, Ss	1
▲	8	74027	(00000000-	) Screw, Pan, Phl, M6 X 1.00 X 12, NI, PI	1
▲	9	130773	(00000000-	) Tie, Cable, Nyl, 11.0l, .14w, 3.0 Max. D	2
	10	1044167	(00000000- 10711512	) Knob, Rnd, 19.0d M6 X 50 (Replaced by 1034731 Qty 1)	1
	N/S	1044067	(00000000-	) Cord, Power, 16/3 Blk [2.5meter, Na]	1

▽ ASSEMBLY

▲ INCLUDED IN ASSEMBLY

**BATTERY GROUP, WET 12V/105Ah**

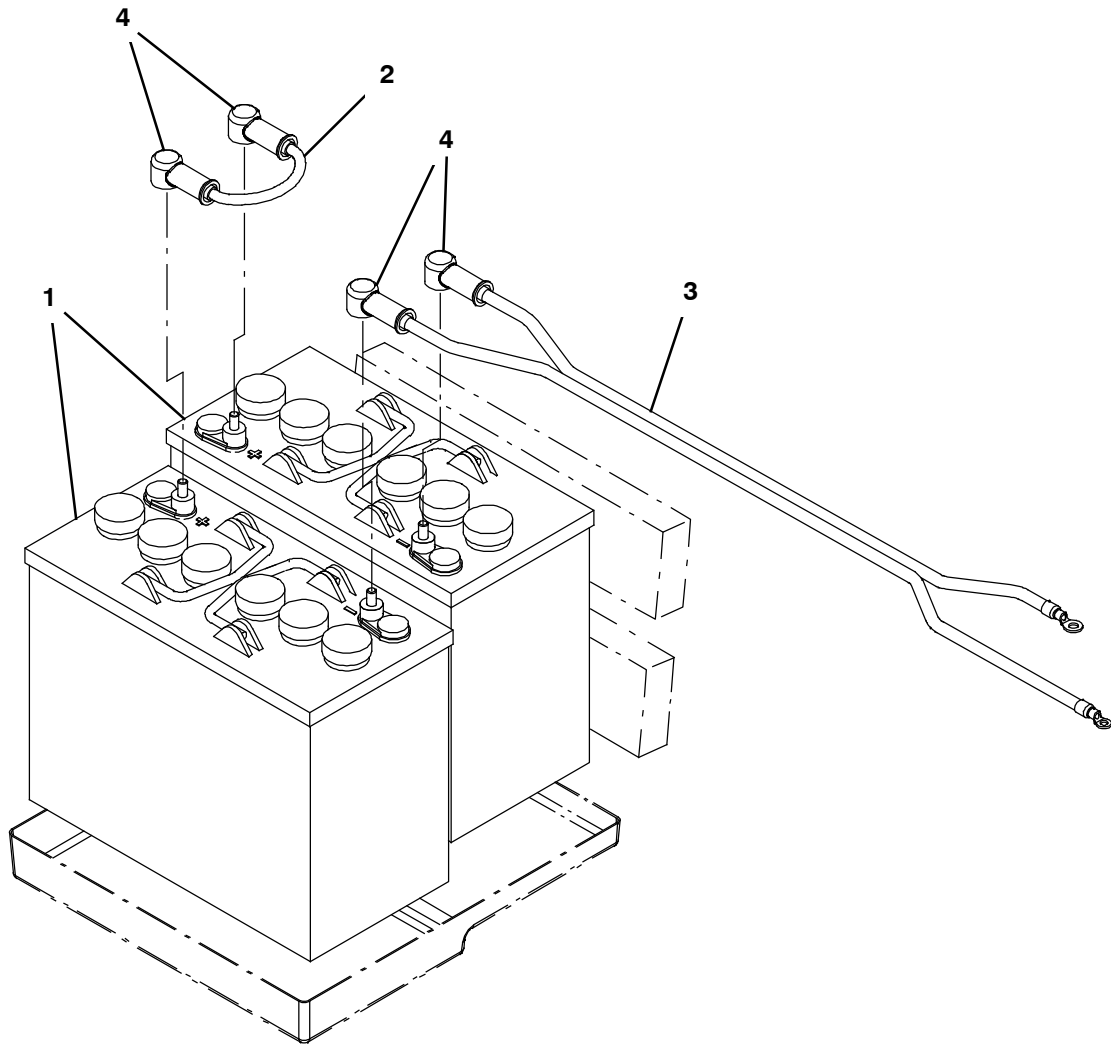
355098



Ref.	Part No.	Serial Number	Description	Qty.
1	578426	(00000000-	) Battery, 12vdc 0105ah 0530cca [27tmx]	2
2	130364	(00000000-	) Cable, 06ga 15.0l Blk .31ring /.38ring	1
3	1046612	(00000000-	) Harness, Battery [T2 U.S.]	1
4	611221	(00000000-	) Boot, Terminal, Battery, 25.4mm, Blk	4

BATTERY GROUP, GEL 12V/102Ah

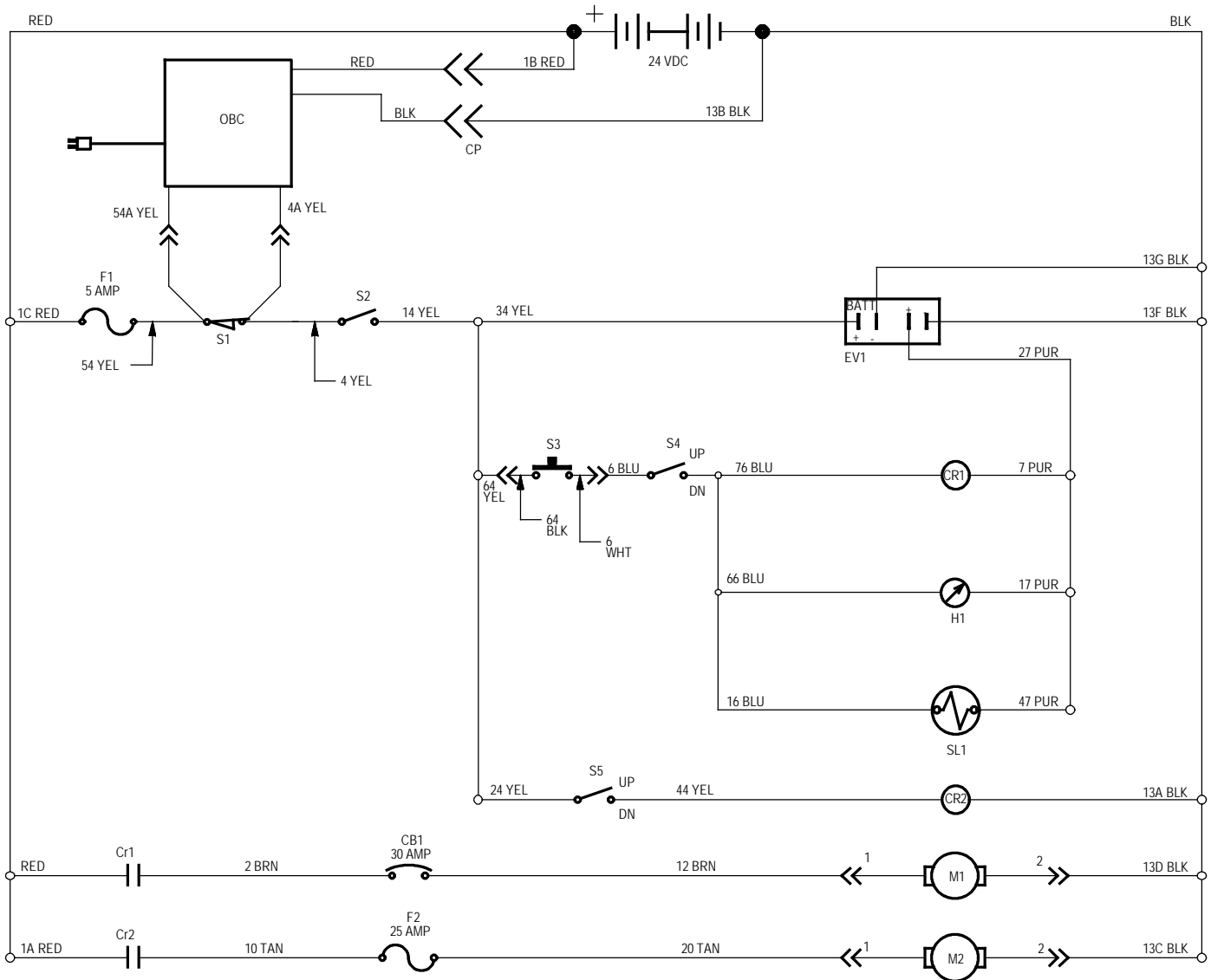
355413



Ref.	Part No.	Serial Number	Description	Qty.
1	1071125	(00000000-	) Battery, Gel, 12vdc 0102ah [Trjn 31- Gel]	2
2	130364	(00000000-	) Cable, 06ga 15.0l Blk .31ring /.38ring	1
3	1046612	(00000000-	) Harness, Battery [T2 U.S.]	1
4	611221	(00000000-	) Boot, Terminal, Battery, 25.4mm, Blk	4

## ELECTRICAL DIAGRAM

355166



### LEGEND

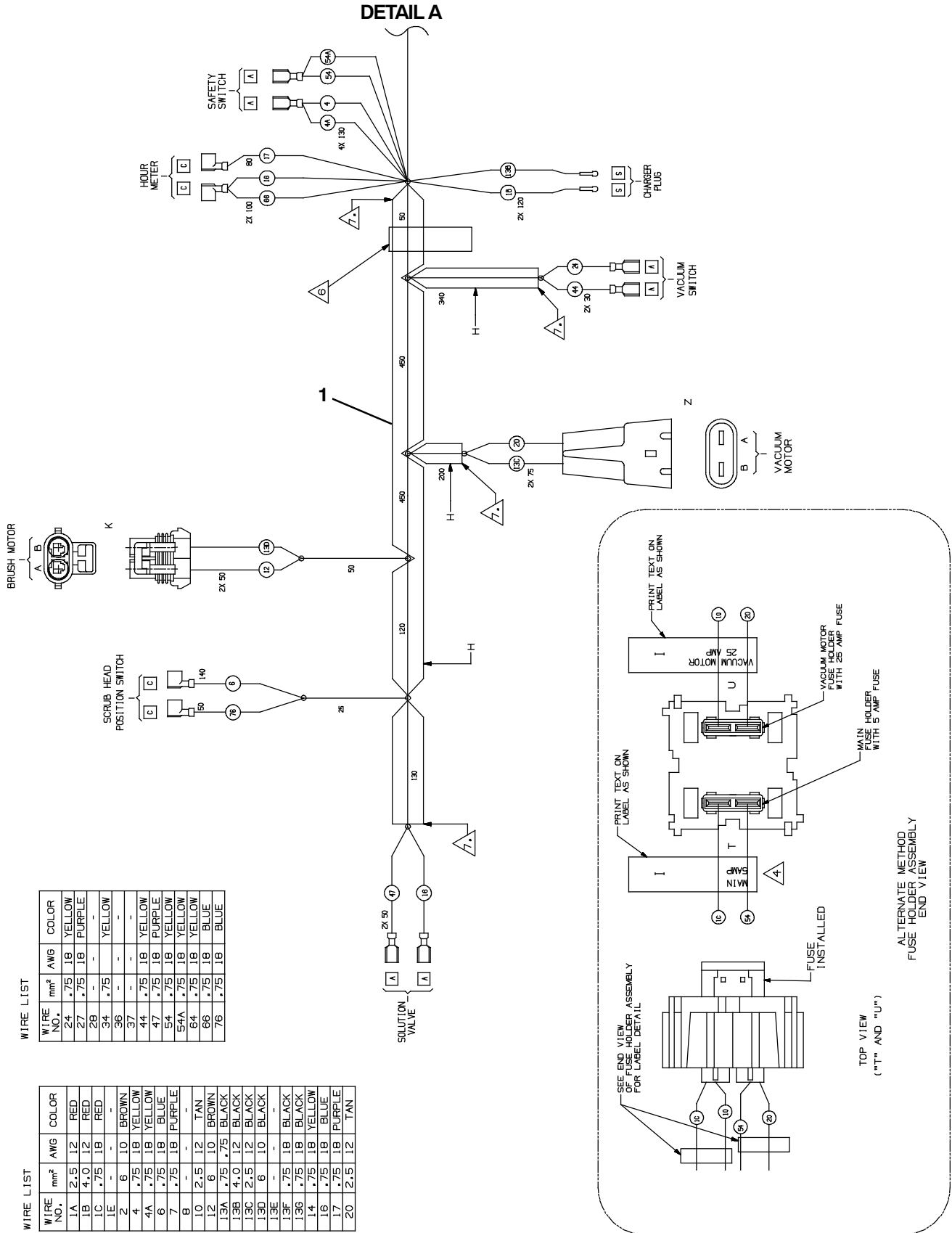
RED = RED  
 BLK = BLACK  
 BRN = BROWN  
 BLU = BLUE  
 TAN = TAN  
 YEL = YELLOW  
 PUR = PURPLE  
 CB1 = CIRCUIT BREAKER 30A  
 CP = CHARGER PLUG

CR1 = RELAY BRUSH  
 CR2 = RELAY VACUUM FAN  
 Cr1 = CONTACT RELAY  
 Cr2 = CONTACT RELAY  
 EV1 = ELECTRONIC VOLT METER  
 F1 = FUSE 5A MAIN  
 F2 = FUSE 25A VAC FAN  
 H1 = METER HOUR  
 M1 = MOTOR BRUSH

M2 = MOTOR VACUUM FAN  
 OBC = ON BOARD CHARGER  
 S1 = SWITCH CHARGER SAFETY  
 S2 = SWITCH KEY  
 S3 = SWITCH SCRUB  
 S4 = SWITCH SCRUB HEAD POSITION  
 S5 = SWITCH VACUUM  
 SL1 = SOLUTION VALVE

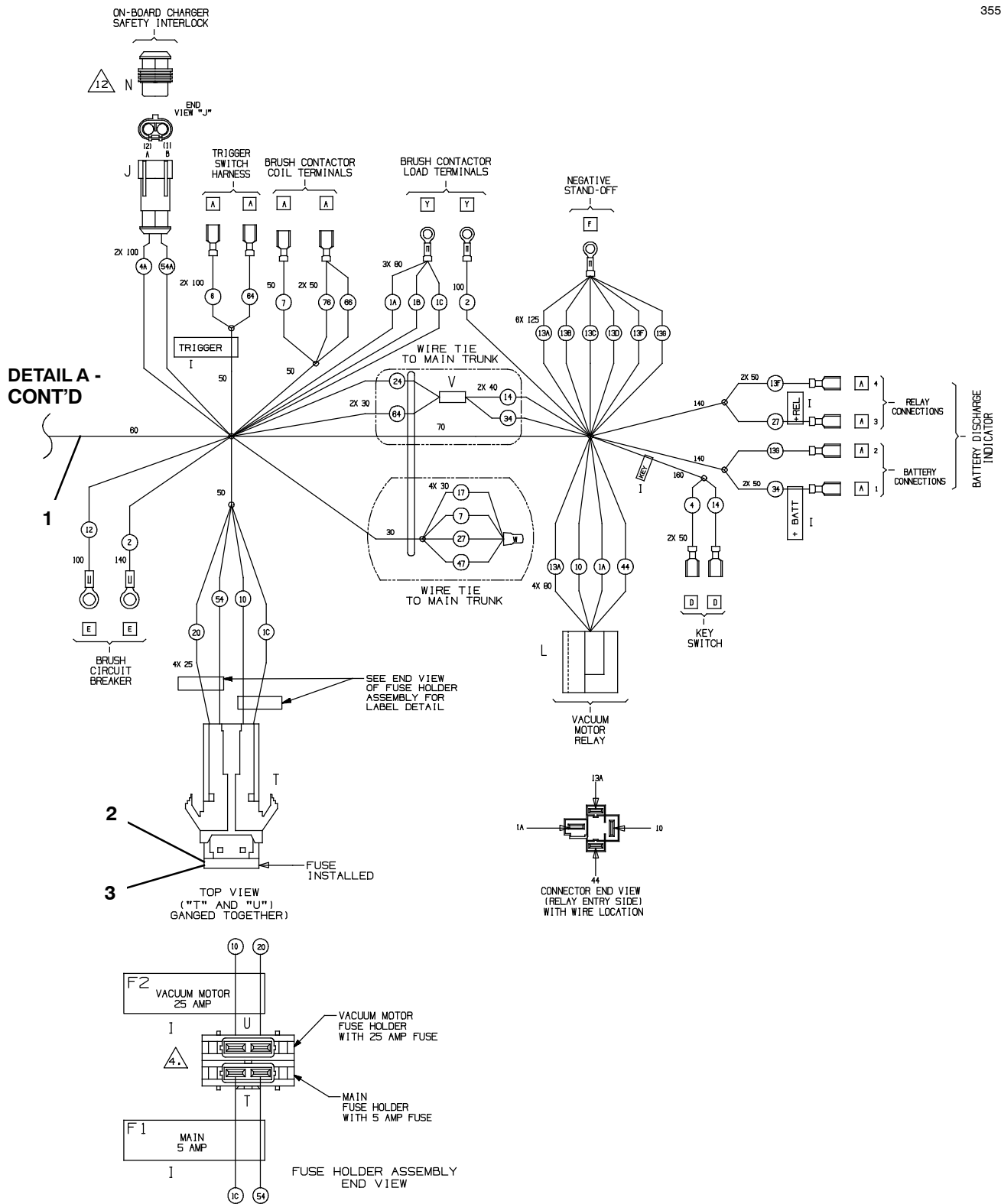


WIRING HARNESS



## WIRING HARNESS

355164

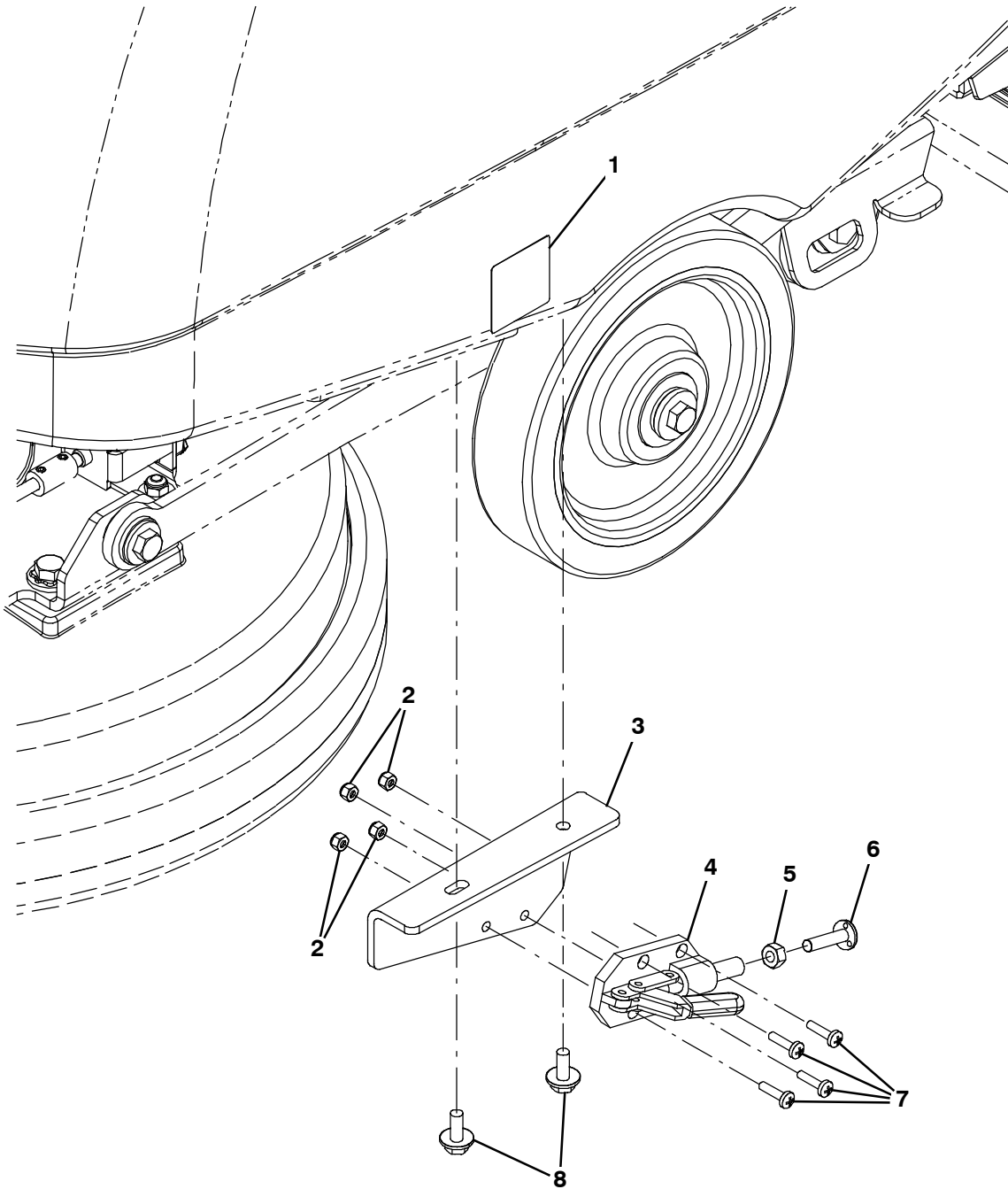


Ref.	Part No.	Serial Number	Description	Qty.
▽	1	1067677	(00000000- ) Harness, Main [T2]	1
▲	2	1016040	(00000000- ) Fuse, Blade, 025a, 32vdc	1
▲	3	1016029	(00000000- ) Fuse, Blade, 005a, 32vdc [Atof]	1



PARKING BRAKE GROUP

355093



**PARKING BRAKE GROUP**

	<b>Ref.</b>	<b>Part No.</b>	<b>Serial Number</b>	<b>Description</b>	<b>Qty.</b>
▽		9004855	(00000000-	) Parking Brake Kit [T2]	1
▲	1	600624	(00000000-	) Label, Parking Brake, Symbol [Tnv]	1
▲	2	33932	(00000000-	) Nut, Hex, Lock, M4 X 0.70, NI, Ss	4
▲	3	1042770	(00000000-	) Bracket, Mtg, Brake	1
▲	4	1013718	(00000000-	) Clamp, Brake, Parking [T3]	1
▲	5	07785	(00000000-	) Nut, Hex, Std, M6 X 1.00, Ss	1
▲	6	1017416	(00000000-	) Screw, Weld, M6 X 1.00 X 25, Thru, Ss	1
▲	7	24265	(00000000-	) Screw, Pan, Phl, M4 X 0.70 X 16, Ss	4
▲	8	1034731	(00000000-	) Screw, Hex, M6 X 1.00 X 16, Ss, Sems	2

▽ ASSEMBLY

▲ INCLUDED IN ASSEMBLY